

Service
Service
Service



Service Manual



TABLE OF CONTENTS

	Page
Location of pc boards & Version variations	1-2
Technical Specifications	1-3
Measurement setup	1-4
Service Aids, Safety Instruction, etc.	1-5
Disassembly Instructions & Service positions	2-1
Service Test Program	3-1
Region code, Software version & upgrades	3-2
Set Block diagram	4-1
Set Wiring diagram	5-1
Front Board	6
AV Board	7
Amplifier Board	8
Speaker Connector Board	9
Module SD6.1 RX	10
Set Mechanical Exploded view & parts list	11
PSU Board (For Information only)	12
Revision List	13



© Copyright 2004 Philips Consumer Electronics B.V. Eindhoven, The Netherlands
All rights reserved. No part of this publication may be reproduced, stored in a retrieval system or transmitted, in any form or by any means, electronic, mechanical, photocopying, or otherwise without the prior permission of Philips.

Published by BB 0417 Service Audio Printed in The Netherlands Subject to modification



3139 785 30571

Version 1.1



PHILIPS

SPECIFICATIONS

GENERAL:

Mains voltage : 120V for /17
 220-240V for /01/05/75/93
 110-127V/220-240V Switchable for /69

Mains frequency : 50/60Hz

Power consumption : < 0.6W at ECO Standby
 < 80W at 1/8 P_{rated}

Dimension centre unit : 360 x 55 x 325mm

TUNER:

FM

Tuning range : 87.5-108MHz

Grid : 50kHz
 100kHz for /17/69

IF frequency : 10.7MHz ± 25kHz

Aerial input : 75Ω coaxial

Sensitivity at 26dB S/N : < 7μV

Selectivity at 600kHz bandwidth : > 25dB

IF rejection : > 60dB

Image rejection : > 25dB

Distortion at RF=1mV, dev. 75kHz : < 3%

-3dB Limiting point : 8μV

Crosstalk at RF=1mV, dev. 40kHz : > 18dB

MW

Tuning range : 531-1602kHz
 530-1700kHz for /17/69

Grid : 9kHz
 10kHz for /17/69

IF frequency : 450kHz ± 1kHz

Aerial input : Frame aerial

Sensitivity at 26dB S/N : < 4.0mV/M

Selectivity at 18kHz bandwidth : > 20dB

IF rejection : > 45dB

Image rejection : > 28dB

Distortion at RF=50mV, m=80% : < 5%

AMPLIFIER:

Output power

Front : 50W RMS / channel

Rear : 50W RMS / channel

Centre : 50W RMS

Subwoofer : 75W RMS

Frequency response ±3dB : 20Hz-20kHz

Hum (Volume Minimum) : 200nW

Residual noise (Volume Minimum) : 40nW

Input sensitivity

Aux In : 1V ± 3dB at 39kΩ
 Scart In : 500mV ± 3dB at 39kΩ

Output sensitivity

Line Out (Left/Right) : 0.7V ± 2dB at 47kΩ
 Scart Out (Left/Right) : 0.6V ± 2dB at 10kΩ

COMPACT DISC/VCD/DVD:

Video Decoding : MPEG-2/MPEG-1/MPEG-4/Div X 4 & 5

Video DAC : 12 Bits

Signal System : PAL / NTSC

Video Format : 4:3 / 16:9

CVBS Out ¹⁾

CVBS level : 1.0 ± 0.1V_{p-p}
 Luminance S/N : ≥ 55dB

S-Video Out ¹⁾

Y level : 1.0 ± 0.1V_{p-p}
 Y S/N : ≥ 60dB
 C level (burst) : 286mV_{p-p} +1/-4 dB

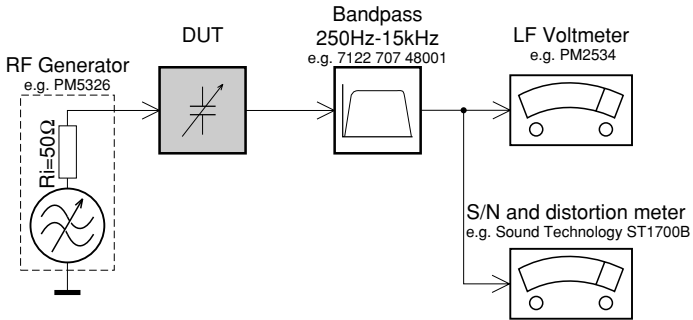
RGB/YUV Out ¹⁾

Amplitude : 0.7 ± 0.1V_{p-p}
 S/N : ≥ 60dB

¹⁾ Output terminals to be terminated with 75Ω

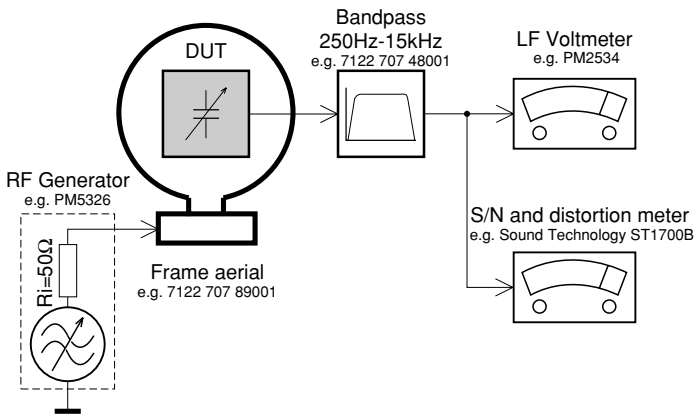
MEASUREMENT SETUP

Tuner FM



Use a bandpass filter to eliminate hum (50Hz, 100Hz) and disturbance from the pilotone (19kHz, 38kHz).

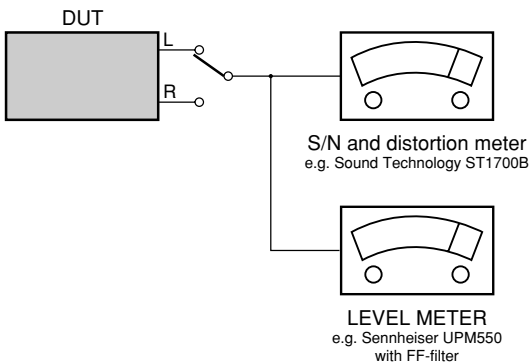
Tuner AM (MW,LW)



To avoid atmospheric interference all AM-measurements have to be carried out in a Faraday's cage.
Use a bandpass filter (or at least a high pass filter with 250Hz) to eliminate hum (50Hz, 100Hz).

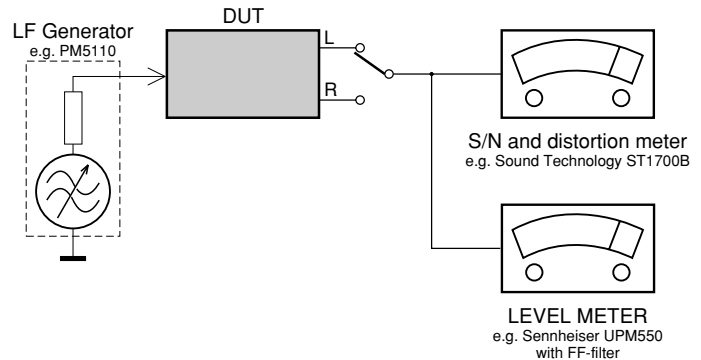
CD

Use Audio Signal Disc SBC429 4822 397 30184
(replaces test disc 3)



Recorder

Use Universal Test Cassette **CrO2** SBC419 4822 397 30069
or Universal Test Cassette **Fe** SBC420 4822 397 30071



SERVICE AIDS

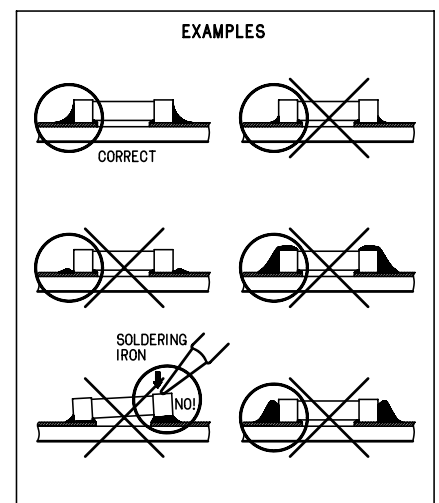
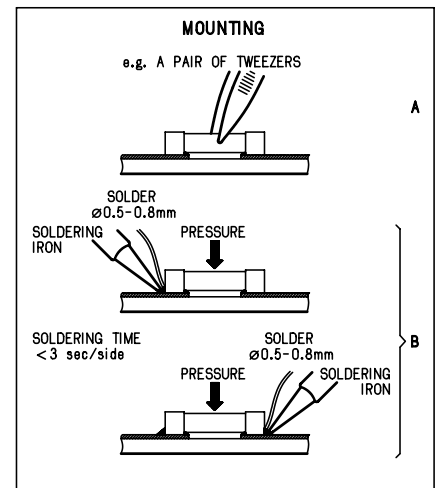
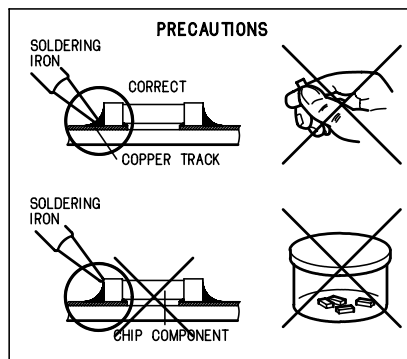
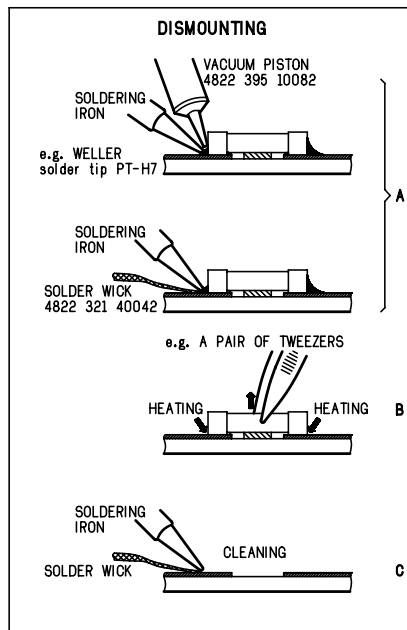
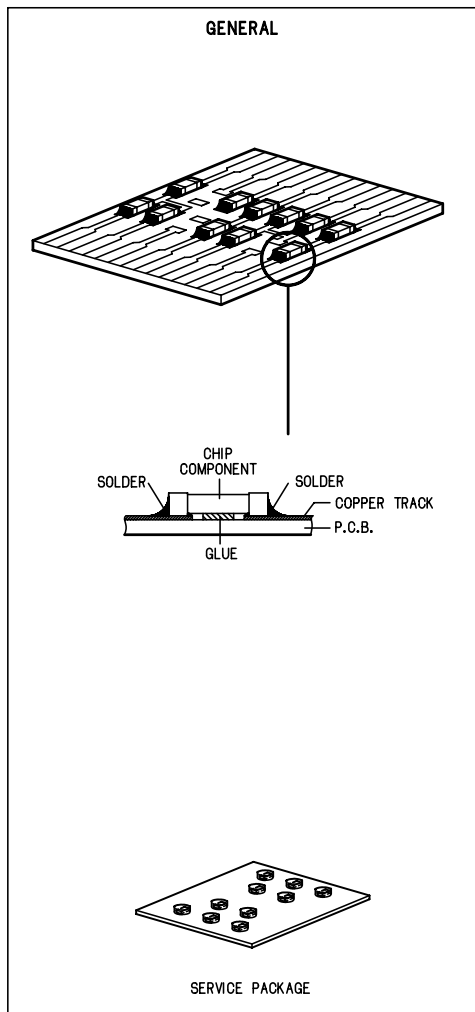
Service Tools:

Universal Torx driver holder	4822 395 91019
Torx bit T10 150mm	4822 395 50456
Torx driver set T6 - T20	4822 395 50145
Torx driver T10 extended	4822 395 50423

Compact Disc:

SBC426/426A Test disc 5 + 5A	4822 397 30096
SBC442 Audio Burn-in Test disc 1kHz	4822 397 30155
SBC429 Audio Signals disc	4822 397 30184
Dolby Pro-logic Test Disc	4822 395 10216

HANDLING CHIP COMPONENTS



(GB) WARNING

All ICs and many other semi-conductors are susceptible to electrostatic discharges (ESD). Careless handling during repair can reduce life drastically.

When repairing, make sure that you are connected with the same potential as the mass of the set via a wrist wrap with resistance. Keep components and tools also at this potential.

(F) ATTENTION

Tous les IC et beaucoup d'autres semi-conducteurs sont sensibles aux décharges statiques (ESD).

Leur longévité pourrait être considérablement écourtée par le fait qu'aucune précaution n'est prise à leur manipulation.

Lors de réparations, s'assurer de bien être relié au même potentiel que la masse de l'appareil et enfilez le bracelet serti d'une résistance de sécurité.

Veiller à ce que les composants ainsi que les outils que l'on utilise soient également à ce potentiel.

(D) WARNUNG

Alle ICs und viele andere Halbleiter sind empfindlich gegenüber elektrostatischen Entladungen (ESD).

Unvorsichtige Behandlung im Reparaturfall kann die Lebensdauer drastisch reduzieren.

Veranlassen Sie, dass Sie im Reparaturfall über ein Pulsarmband mit Widerstand verbunden sind mit dem gleichen Potential wie die Masse des Gerätes.

Bauteile und Hilfsmittel auch auf dieses gleiche Potential halten.

(NL) WAARSCHUWING

Alle IC's en vele andere halfgeleiders zijn gevoelig voor electrostatische ontladingen (ESD). Onzorgvuldig behandelen tijdens reparatie kan de levensduur drastisch doen verminderen.

Zorg ervoor dat u tijdens reparatie via een polsband met weerstand verbonden bent met hetzelfde potentiaal als de massa van het apparaat.

Houd componenten en hulpmiddelen ook op hetzelfde potentiaal.

(I) AVVERTIMENTO

Tutti IC e parecchi semi-conduttori sono sensibili alle scariche statiche (ESD).

La loro longevità potrebbe essere fortemente ridotta in caso di non osservazione della più grande cauzione alla loro manipolazione.

Durante le riparazioni occorre quindi essere collegato allo stesso potenziale che quello della massa dell'apparecchio tramite un braccialetto a resistenza.

Assicurarsi che i componenti e anche gli utensili con quali si lavora siano anche a questo potenziale.

(GB) ESD PROTECTION EQUIPMENT:

Complete Kit ESD3 (small tablemat, wristband, connection box, extension cable and earth cable) 4822 310 10671
Wristband tester 4822 344 13999

(GB)

Safety regulations require that the set be restored to its original condition and that parts which are identical with those specified, be used

Safety components are marked by the symbol \triangle .

(NL)

Veiligheidsbepalingen vereisen, dat het apparaat bij reparatie in zijn oorspronkelijke toestand wordt teruggebracht en dat onderdelen, identiek aan de gespecificeerde, worden toegepast.

De Veiligheidsonderdelen zijn aangeduid met het symbool \triangle .

(F)

Les normes de sécurité exigent que l'appareil soit remis à l'état d'origine et que soient utilisés les pièces de rechange identiques à celles spécifiées.

Less composants de sécurité sont marqués \triangle .

(D)

Bei jeder Reparatur sind die geltenden Sicherheitsvorschriften zu beachten. Der Original Zustand des Geräts darf nicht verändert werden; für Reparaturen sind Original-Ersatzteile zu verwenden.

Sicherheitsbauteile sind durch das Symbol \triangle markiert.

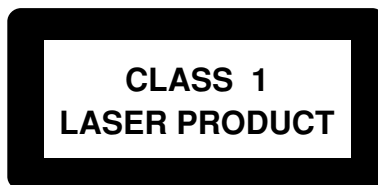
(I)

Le norme di sicurezza esigono che l'apparecchio venga rimesso nelle condizioni originali e che siano utilizzati i pezzi di ricambio identici a quelli specificati.

Componenti di sicurezza sono marcati con \triangle .

(GB)

After servicing and before returning set to customer perform a leakage current measurement test from all exposed metal parts to earth ground to assure no shock hazard exist. The leakage current must not exceed 0.5mA.

ESD**(GB) Warning !**

Invisible laser radiation when open.
Avoid direct exposure to beam.

(S) Varning !

Osynlig laserstrålning när apparaten är öppnad och spärren är urkopplad. Betrakta ej strålen.

(SF) Varoitus !

Avatussa laitteessa ja suoalukituksen ohitettaessa olet alltiina näkymättömälle laserisäteilylle. Älä katso säteeseen!

(DK) Advarse !

Usynlig laserstrålning ved åbning når sikkerhedsafbrydere er ude af funktion. Undgå udsættelse for strålning.

(F)

"Pour votre sécurité, ces documents doivent être utilisés par des spécialistes agréés, seuls habilités à réparer votre appareil en panne".

DISMANTLING INSTRUCTIONS

Dismantling of the DVD Loader

- 1) The tray can be manually open by inserting a minus screw driver and push the lever in the direction as shown in Figure 1 to unlock the tray before sliding it out.
- 2) Slide out the tray and remove the Cover Tray assembly (pos 110 + pos 111 + pos 112) as shown in Figure 2.
- 3) Loosen 5 screws to remove the Cover Top (pos 240).
 - 1 screw each on the left & right side (pos 272)
 - 3 screws on the rear (pos 270)

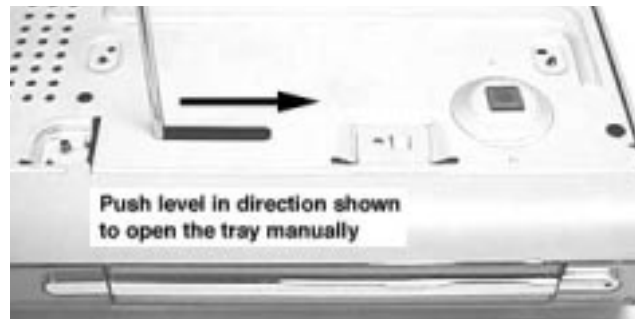


Figure 1

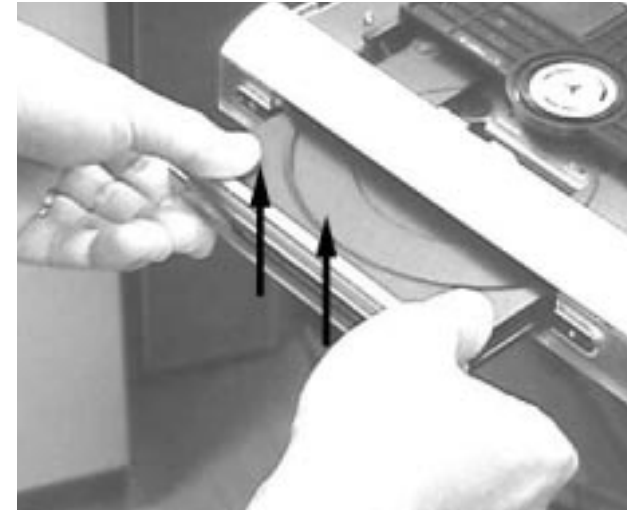


Figure 2

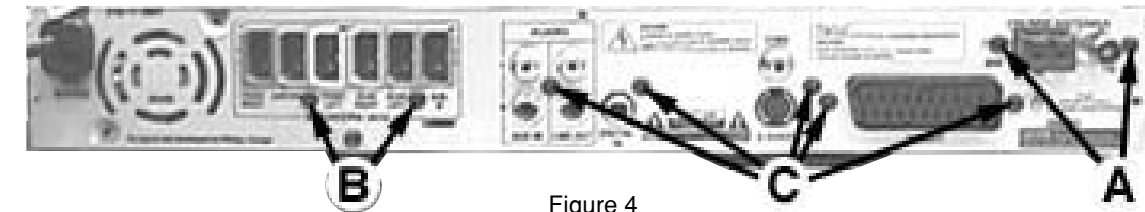


Figure 4

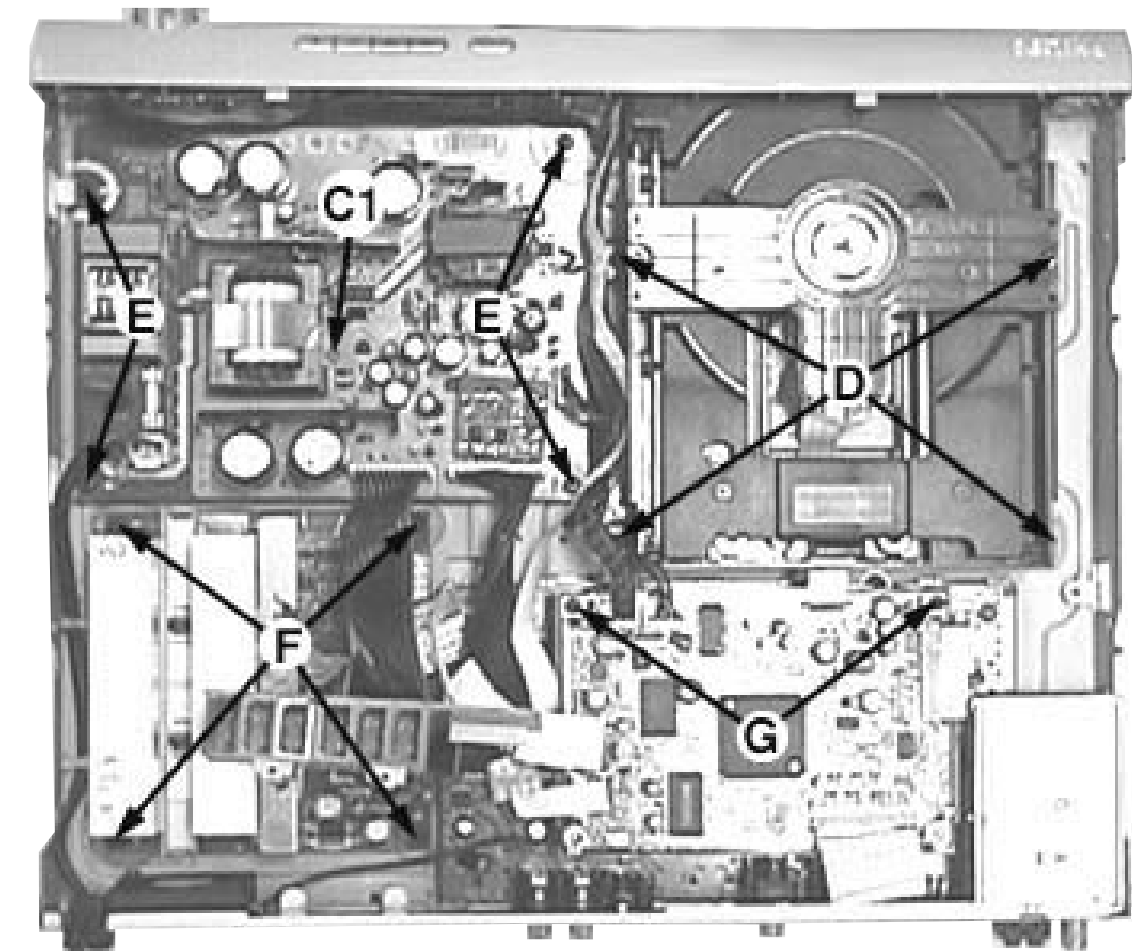


Figure 5

Dismantling of the Tuner Module & Speaker Connector Board

- 1) Loosen 2 screws A (see Figure 4) to remove the Tuner Module (pos 1105).
- 2) When the Tuner Module (pos 1105) become defective and need to be replaced, make sure the Lug of the Tuner Module is bend as shown in Figure 3.

Note : The Lug of the Tuner Module is purposely bend in this way (see Figure 3) to prevent damage to the Flex Cable.

- 3) Loosen 2 screws B (see Figure 4) to remove the Speaker Connector Board (pos 1102).

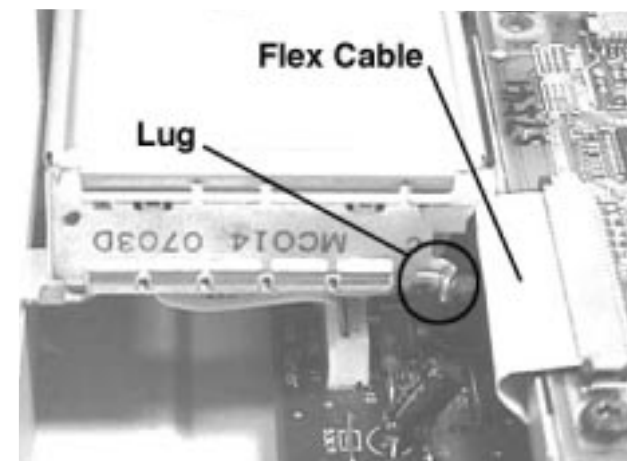


Figure 3

Dismantling of the PSU Board, Amplifier Board, SD6.1 RX Board & AV Board

- 1) Loosen 4 screws E and uncatch C1 (see Figure 5) to remove the PSU Board (pos 1104).
- 2) Loosen 4 screws F (see Figure 5) to remove the Amplifier Board (pos 1107).
- 3) Loosen 2 screws G (see Figure 5) to remove the SD6.1 RX Board (1103-1001).
- 4) Loosen 2 screws H and uncatch C2 (see Figure 6) to remove the Shield AV (pos 180).
- 5) Loosen 5 screws C (see Figure 4) and uncatch 2 catches C3 (see Figure 7) to remove the AV Board (pos 1101).

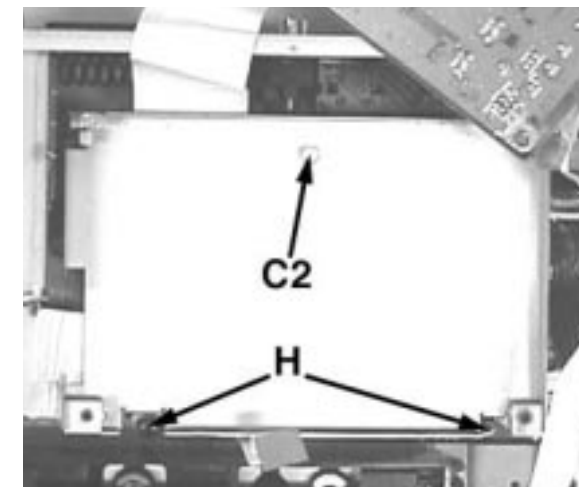


Figure 6

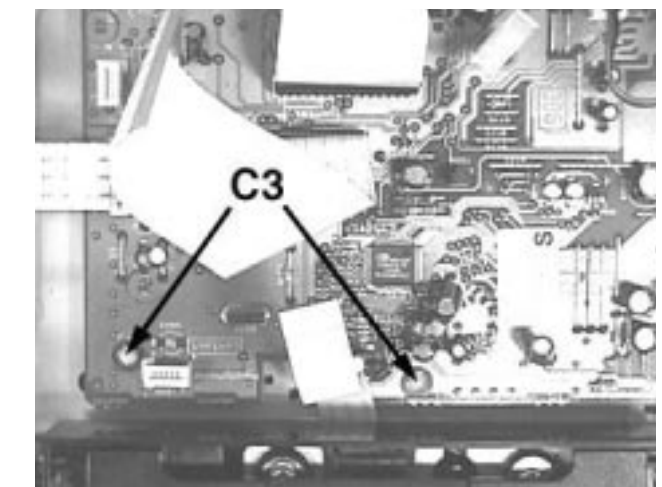
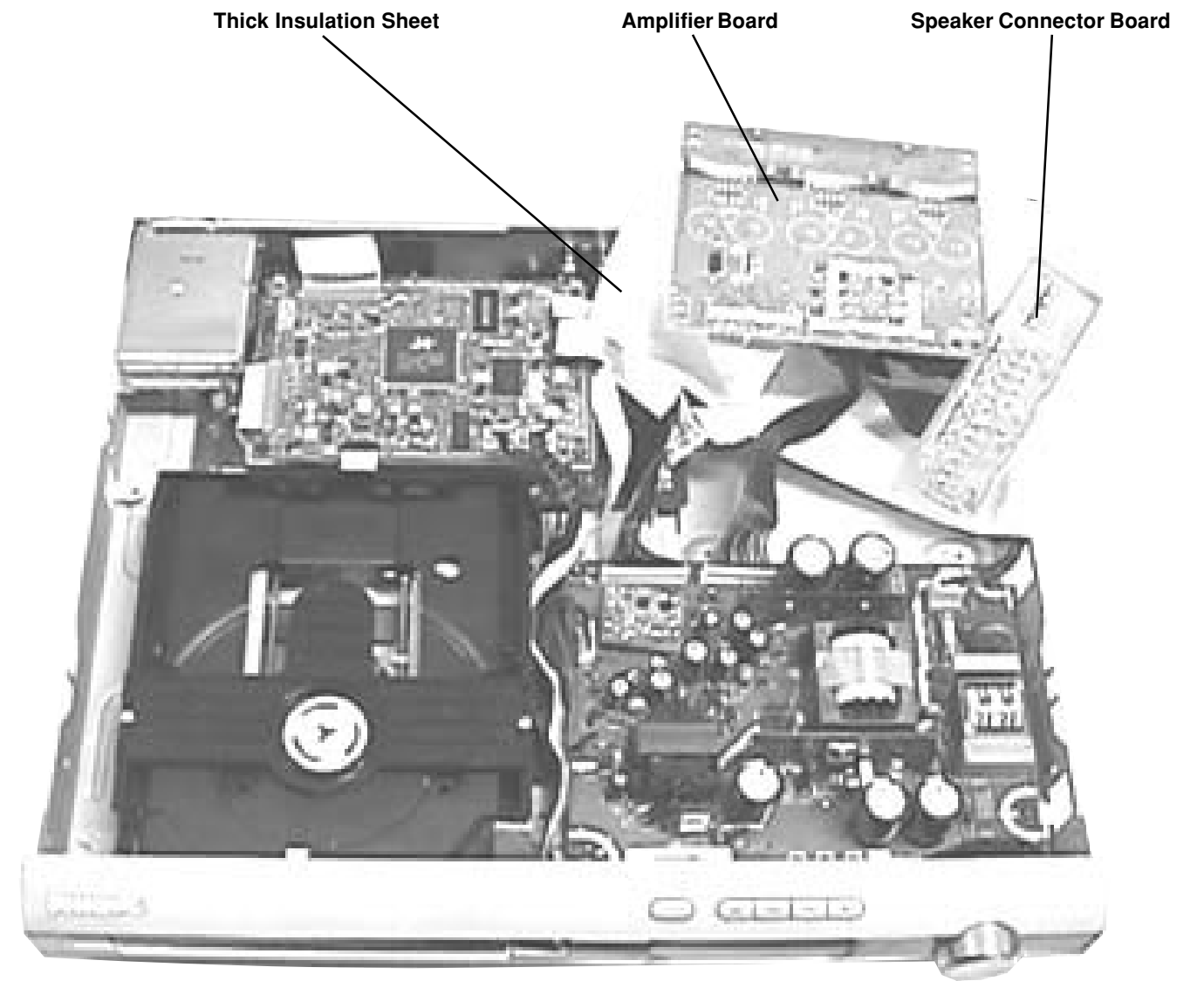
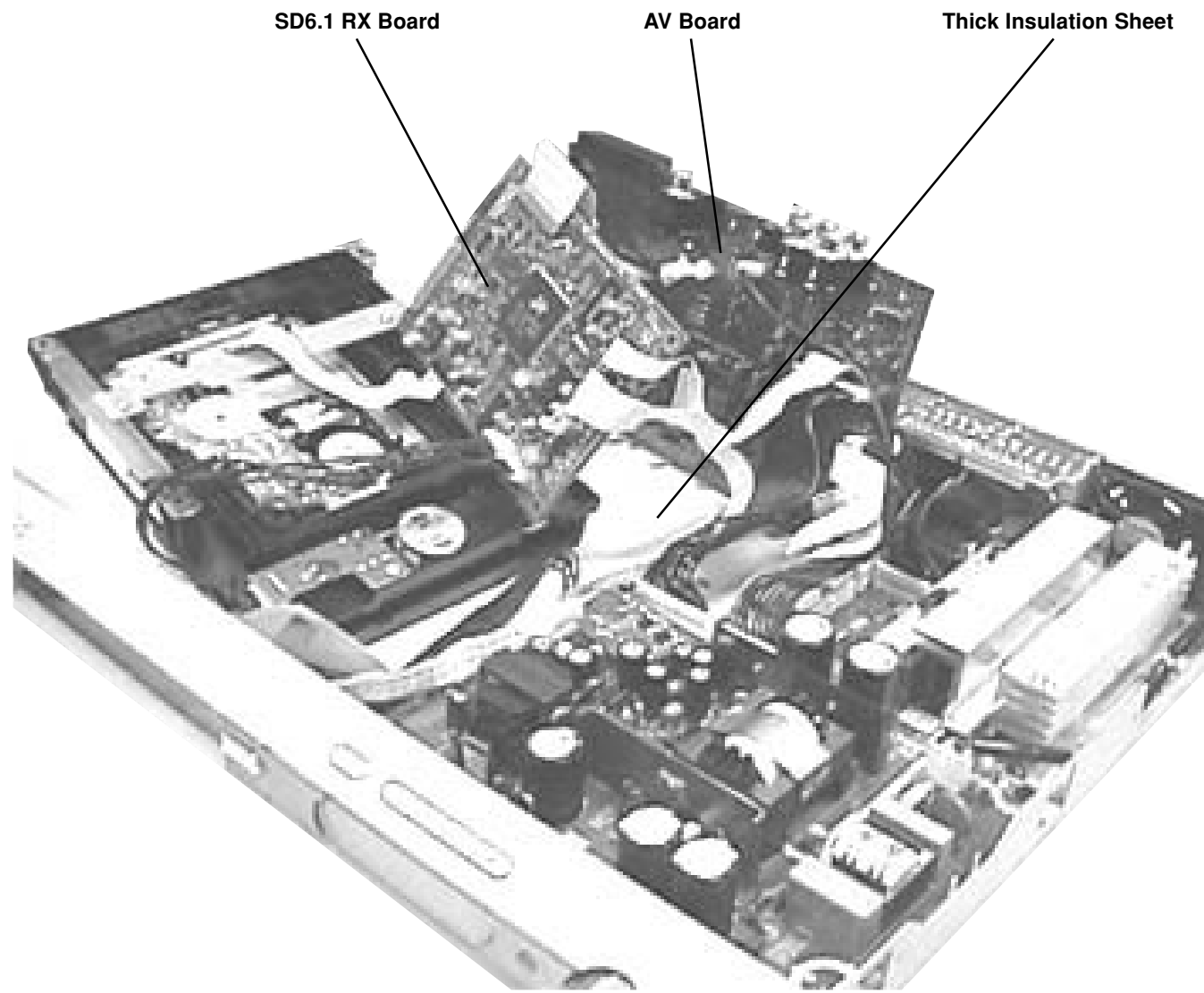
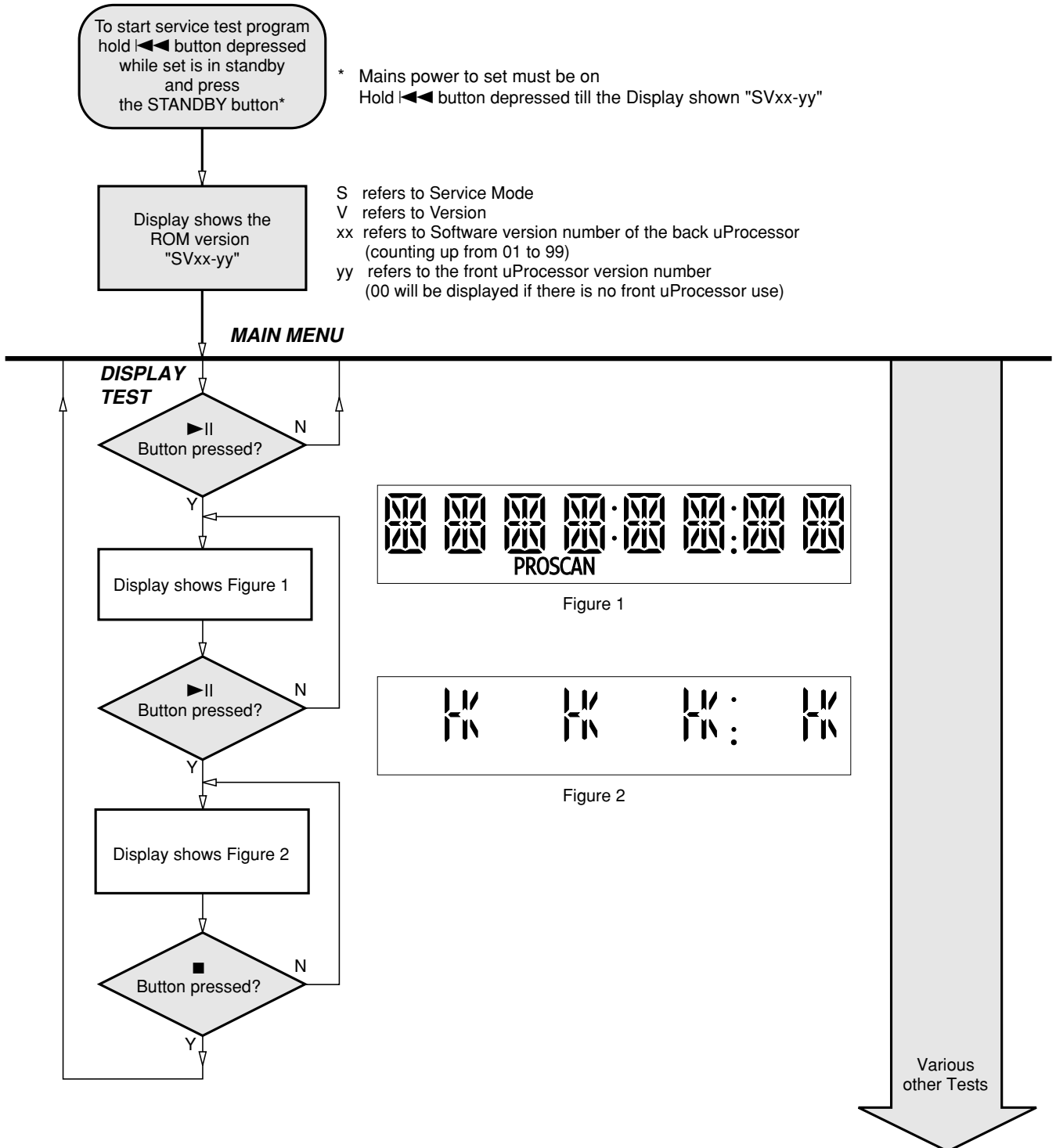


Figure 7

SERVICE POSITIONS



SERVICE TEST PROGRAM



TEST	Activated with	ACTION
EEPROM FORMAT TEST	⏪ ⏪ to Exit	Load default data. Display shows "NEW". Caution! All presets from the customer will be lost!!
ROTARY ENCODER TEST	VOLUME Knob	Display shows value for 2 seconds. Values increases or decreases in steps of 1 until 0 (VOL MIN) or 40 (VOL MAX) is reached.
LEAVE SERVICE TEST PROGRAM	Disconnect mains cord	

Procedure to change Tuner Grid (not for all versions)

- 1) Power up the set and select **TUNER** source.
- 2) Hold "PLAY" button depressed while set is in standby and press the "STANDBY" button.
- 3) Hold "PLAY" button depressed till the display shown '**PHILIPS->FM**' followed by display the new tuning grid '**GRID 9**' or '**GRID 10**'.

Note: Repeating the same action will toggle back to its previous tuning grid setting.

Reprogramming of DVD version Matrix

After repair, the customer setting and region code may be lost. Reprogramming will put the set back in the state in which it has left the factory, ie. with the default setting and the allowed region code.

To reprogram do as follows:

- 1) Power up the set and select **DISC** source.
- 2) Open tray by press "OPEN/CLOSE" button on the set or press and hold "STOP" button on the RC.
- 3) Press the following buttons on the Remote Control:
 <9> <9> <9> <9> <AUDIO> <1> for LX3900SA/01
 <9> <9> <9> <9> <AUDIO> <2> for LX3900SA/05
 <9> <9> <9> <9> <AUDIO> <3> for LX3900SA/69
 <9> <9> <9> <9> <AUDIO> <4> for LX3900SA/75
 <9> <9> <9> <9> <AUDIO> <5> for LX3950W/01
 <9> <9> <9> <9> <AUDIO> <6> for LX3950W/05
 <9> <9> <9> <9> <AUDIO> <7> for LX3900SA/93
- 4) The display shows '**YYYY-ZZ**' and the tray will close.
 YYYY = model number (eg. 3900, 3950, etc.)
 ZZ = stroke version (eg. 01, 05, etc.)

Procedure for check Software version

- 1) Power up the set and select **DISC** source.
- 2) Open tray by press "OPEN/CLOSE" button on the set or press and hold "STOP" button on the RC.
- 3) Press "OSD" button on the Remote control.
- 4) The TV screen will shows:

SD6.1 Vxx YYYY-ZZ P QQ
SERVO: GGGGGGGG REG:D

xx = version number
 YYYY = model number (eg. 3900, 3950, etc.)
 ZZ = stroke version (eg. 01, 05, etc.)
 P / D = region code
 QQ = version number of front uProcessor
 GGGGGGGG = version for servo code

Procedure to upgrade software

- 1) Power up the set and select **DISC** source.
- 2) Open tray by press "OPEN/CLOSE" button on the set or press and hold "STOP" button on the RC.
- 3) Place upgrade CD-ROM onto tray and close.
- 4) The set will response and display the following:
 - **LOAD** [After the disc is read, the tray will open for you to remove the disc]
 - **ERASE**
 - **WRITE**
 - **ERROR** [if upgrade is unsuccessful]
 - **UPG END -> PHILIPS** [if upgrade is successful]
 - **DISC->CLOSE->LOAD** [Tray will close indicating that the upgrade process is completed]
- 5) The whole process should not take more than 5 minutes.

Caution: Do not unplug the set until upgrade is completed.

Trade Mode

Trade mode is a feature that will block all set keys when enabled. It is for dealers to prevent customers from removing disc, changing source etc using the set keys. Rotary and Remote Control (RC) keys are still allowed in Trade mode.

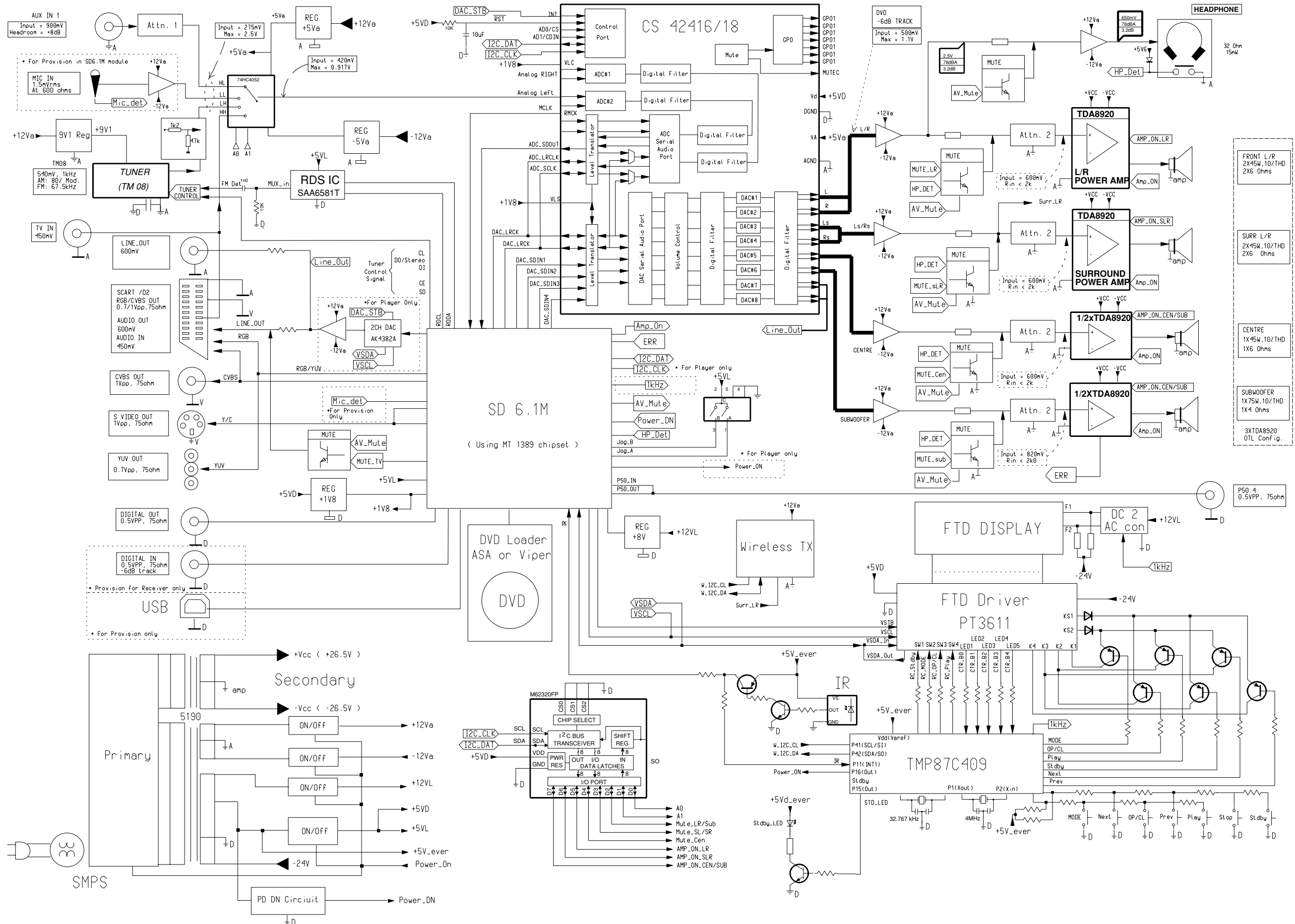
To activate Trade Mode:

- 1) Power up the set and select **DISC** source.
- 2) Open tray by press "OPEN/CLOSE" button on the set or press and hold "STOP" button on the RC.
- 3) Then press buttons <2> <5> <9> on the RC.
- 4) The display shows '**TRA ON**' and the tray will close.
Trade Mode is now enabled.

To deactivate Trade Mode:

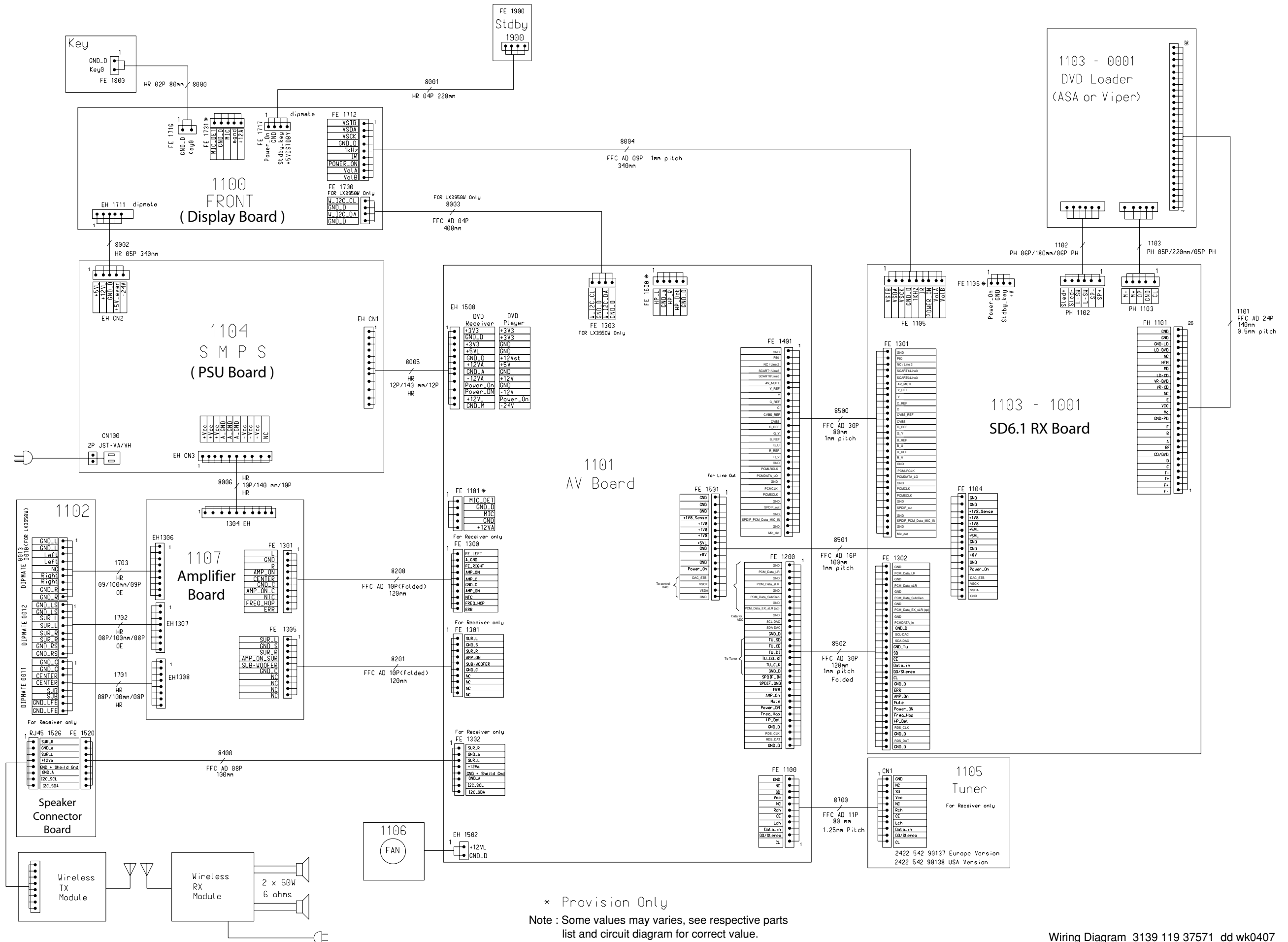
- 1) Power up the set and select **DISC** source.
- 2) Open tray by press and hold "STOP" button on the RC.
- 3) Then press buttons <2> <5> <9> on the RC.
- 4) The display shows '**TRA OFF**' and the tray will close.
Trade Mode is now disabled.

SET BLOCK DIAGRAM



Note :
 Power_DN - This signal is provided by the SMPS to Master control

SET WIRING DIAGRAM



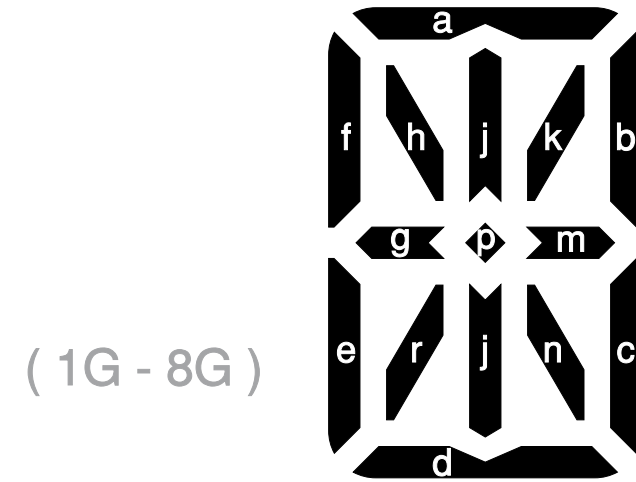
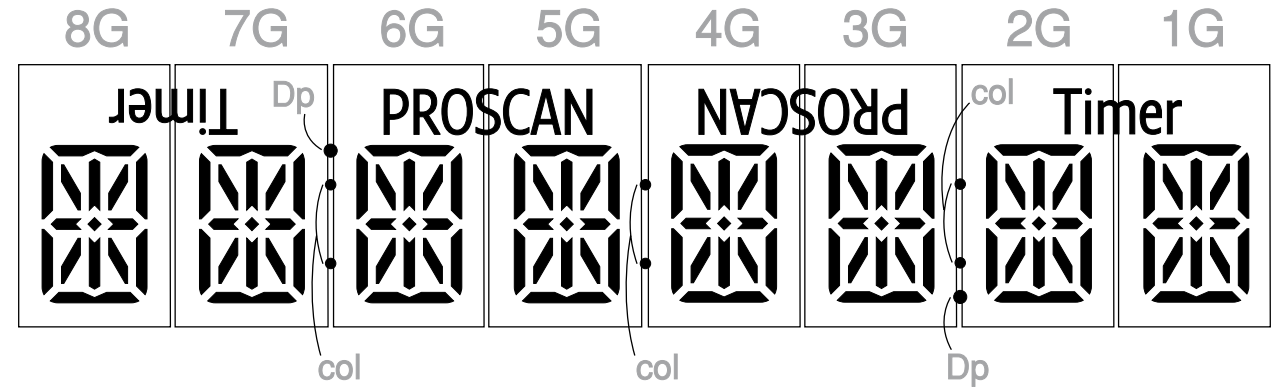
* Provision Only
 Note : Some values may varies, see respective parts list and circuit diagram for correct value.

FRONT BOARD

TABLE OF CONTENTS

FTD Display Pin Connection 6-1
 Display part - Top & Bottom View Layout 6-2
 Display part - Circuit Diagram 6-3
 Key part - Layout & Circuit diagram 6-4
 Standby part - Layout & Circuit diagram 6-5
 Electrical parts list 6-5

FTD DISPLAY PIN CONNECTION

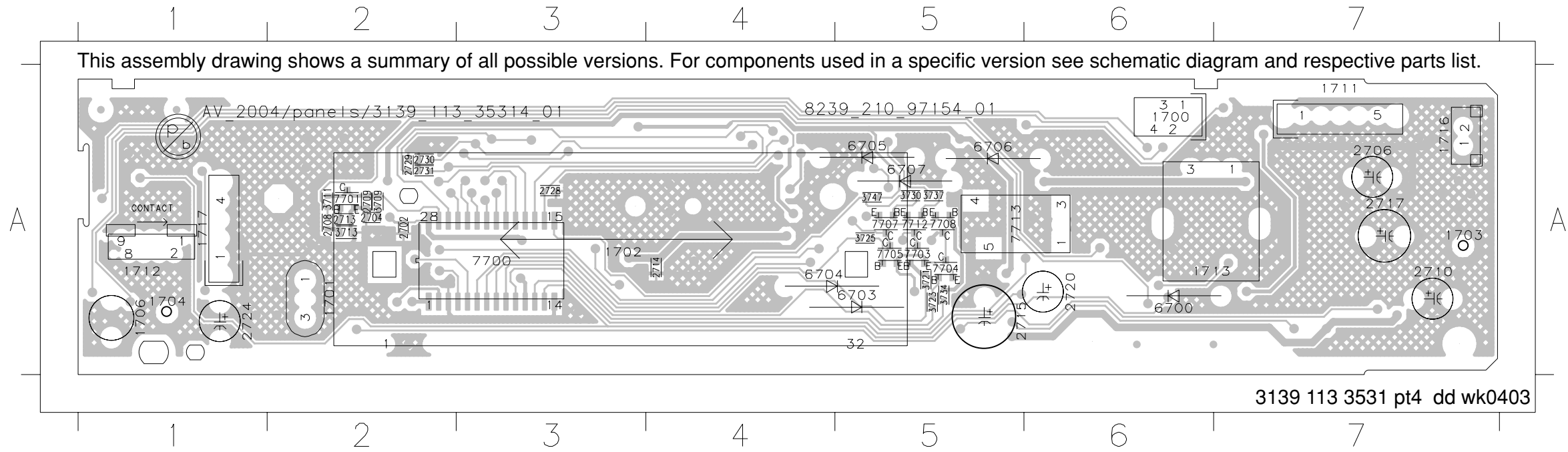


(1G - 8G)

	8G	7G	6G	5G	4G	3G	2G	1G
P1	a	a	a	a	a	a	a	a
P2	j	j	j	j	j	j	j	j
P3	h	h	h	h	h	h	h	h
P4	k	k	k	k	k	k	k	k
P5	b	b	b	b	b	b	b	b
P6	f	f	f	f	f	f	f	f
P7	m	m	m	m	m	m	m	m
P8	g	g	g	g	g	g	g	g
P9	c	c	c	c	c	c	c	c
P10	e	e	e	e	e	e	e	e
P11	r	r	r	r	r	r	r	r
P12	n	n	n	n	n	n	n	n
P13	d	d	d	d	d	d	d	d
P14	-	col	col	col	col	col	col	-
P15	p	p	p	p	p	p	p	p
P16	Timer	PROSCAN	PROSCAN	PROSCAN	PROSCAN	PROSCAN	PROSCAN	Timer
P17	-	Dp	Dp	Dp	Dp	Dp	Dp	-

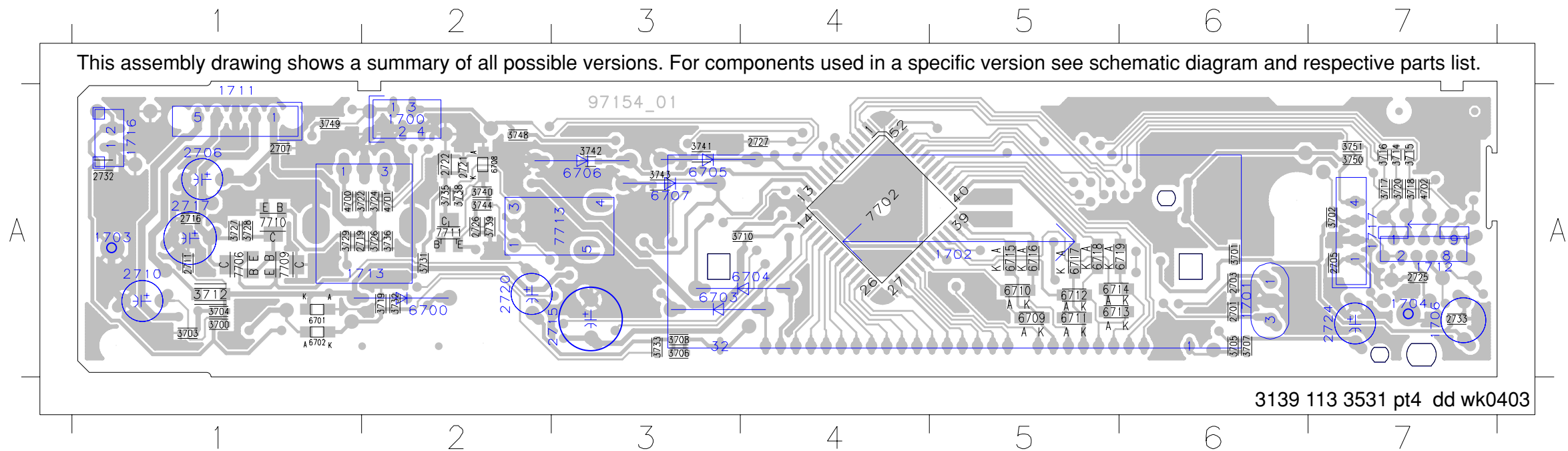
DISPLAY BOARD - TOP VIEW LAYOUT

1700 A6	1704 A1	1713 A6	2704 A2	2710 A7	2717 A7	2729 A2	3711 A2	3725 A5	3747 A5	6705 A5	7701 A2	7707 A5
1701 A2	1706 A1	1716 A7	2706 A7	2713 A2	2720 A6	2730 A2	3713 A2	3730 A5	6700 A6	6706 A5	7703 A5	7708 A5
1702 A3	1711 A7	1717 A1	2708 A2	2714 A4	2724 A1	2731 A2	3721 A5	3734 A5	6703 A5	6707 A5	7704 A5	7712 A5
1703 A7	1712 A1	2702 A2	2709 A2	2715 A5	2728 A3	3709 A2	3723 A5	3737 A5	6704 A4	7700 A3	7705 A5	7713 A5

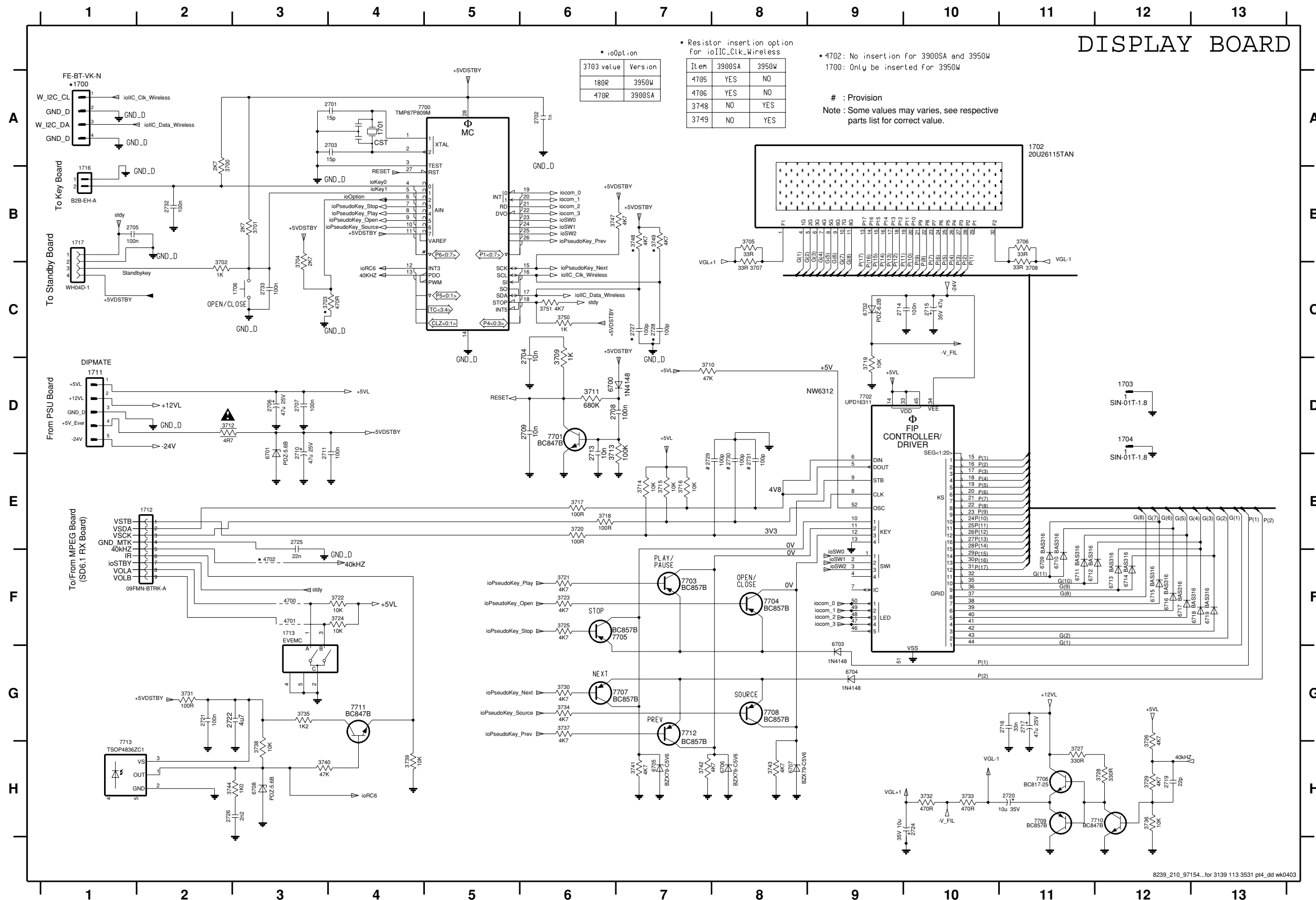


DISPLAY BOARD - BOTTOM VIEW LAYOUT

2701 A6	2719 A1	2732 A1	3704 A1	3712 A1	3719 A2	3728 A1	3736 A2	3743 A3	4700 A1	6709 A5	6715 A5	7706 A1
2703 A6	2721 A2	2733 A7	3705 A6	3714 A7	3720 A7	3729 A1	3738 A2	3744 A2	4701 A2	6710 A5	6716 A5	7709 A1
2705 A7	2722 A2	3700 A1	3706 A3	3715 A7	3722 A1	3731 A2	3739 A2	3748 A2	4702 A7	6711 A5	6717 A5	7710 A1
2707 A1	2725 A7	3701 A6	3707 A6	3716 A7	3724 A2	3732 A2	3740 A2	3749 A1	6701 A1	6712 A5	6718 A5	7711 A2
2711 A1	2726 A2	3702 A7	3708 A3	3717 A7	3726 A2	3733 A3	3741 A3	3750 A7	6702 A1	6713 A5	6719 A6	
2716 A1	2727 A4	3703 A1	3710 A4	3718 A7	3727 A1	3735 A2	3742 A3	3751 A7	6708 A2	6714 A5	7702 A4	
1700 A2	1702 A5	1704 A7	1711 A1	1713 A2	1717 A7	2710 A1	2717 A1	2724 A7	6703 A3	6705 A3	6707 A3	
1701 A6	1703 A1	1706 A7	1712 A7	1716 A1	2706 A1	2715 A3	2720 A2	6700 A2	6704 A4	6706 A3	7713 A3	

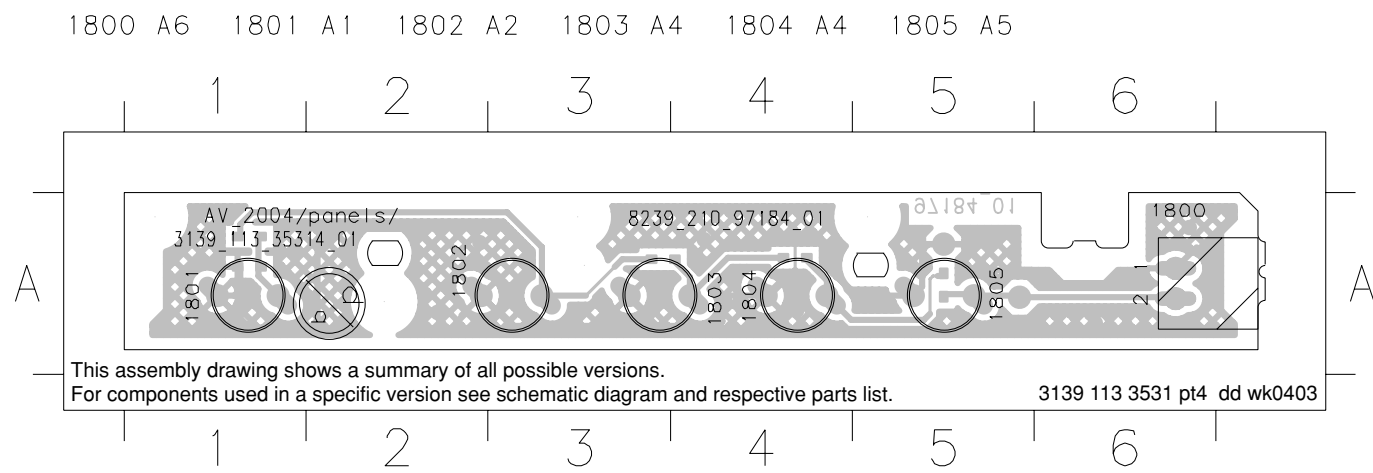


DISPLAY BOARD - CIRCUIT DIAGRAM

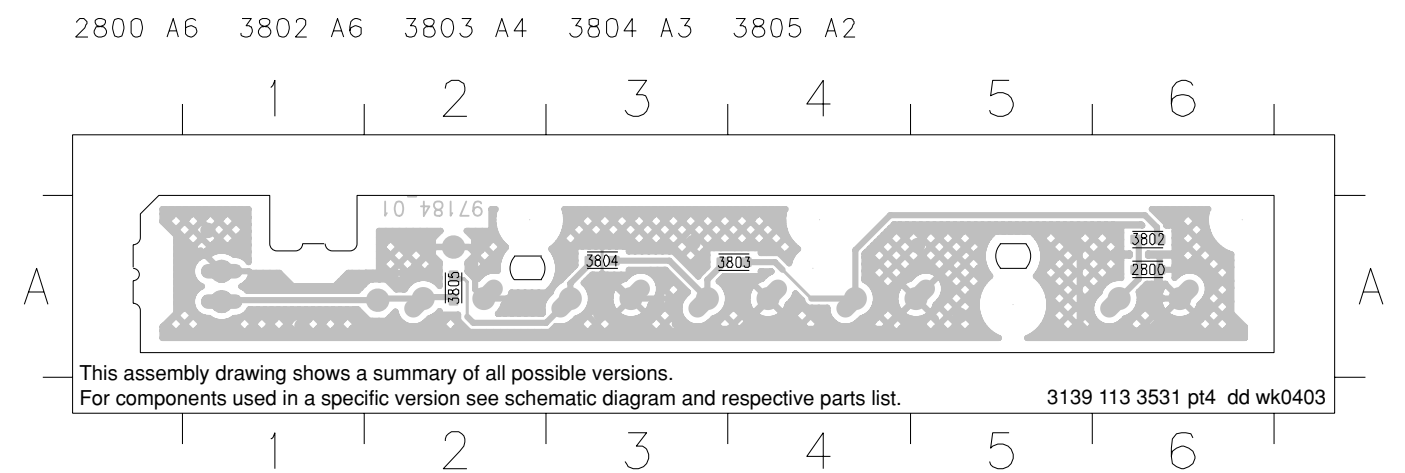


- 1700 A1
- 1701 A4
- 1702 A11
- 1703 D12
- 1704 D12
- 1706 C3
- 1711 D1
- 1712 E2
- 1713 F3
- 1716 B1
- 1717 B1
- 2701 A4
- 2702 A6
- 2703 A4
- 2704 C6
- 2705 B1
- 2706 D3
- 2707 D3
- 2708 D6
- 2709 D6
- 2710 D3
- 2711 D3
- 2713 D6
- 2714 C9
- 2715 C10
- 2716 G11
- 2717 G11
- 2719 H12
- 2720 H11
- 2721 G2
- 2722 G2
- 2724 H10
- 2725 E3
- 2726 H2
- 2727 C7
- 2728 C7
- 2729 E7
- 2730 E8
- 2731 E8
- 2732 B2
- 2733 C3
- 3700 A2
- 3701 B3
- 3702 C2
- 3703 C3
- 3704 B3
- 3705 B8
- 3706 B11
- 3707 C8
- 3708 C11
- 3709 C6
- 3710 D7
- 3711 D6
- 3712 D2
- 3713 D6
- 3714 E7
- 3715 E7
- 3716 E7
- 3717 E6
- 3718 E6
- 3719 D9
- 3720 E6
- 3721 F6
- 3722 F4
- 3723 F6
- 3724 F4
- 3725 F6
- 3726 G12
- 3727 H11
- 3728 H12
- 3729 H12
- 3730 G6
- 3731 G2
- 3732 H10
- 3733 H10
- 3734 G6
- 3735 G3
- 3736 H12
- 3737 G6
- 3738 H3
- 3739 H4
- 3740 H3
- 3741 H7
- 3742 H7
- 3743 H8
- 3744 H2
- 3747 B6
- 3748 B7
- 3749 B7
- 3750 C6
- 3751 C6
- 4700 F3
- 4701 F3
- 4702 F3
- 6700 D6
- 6701 D3
- 6702 C9
- 6703 G9
- 6704 G9
- 6705 H7
- 6706 H8
- 6707 H8
- 6708 H3
- 6709 E11
- 6710 E11
- 6711 E11
- 6712 E11
- 6713 F12
- 6714 F12
- 6715 F12
- 6716 F12
- 6718 F13
- 6719 F13
- 6720 A5
- 6721 D6
- 6722 D9
- 6723 F7
- 6724 F8
- 6725 F6
- 6726 H11
- 6727 G6
- 6728 G8
- 6729 H11
- 6730 H12
- 6731 G4
- 6732 G7
- 6733 H1
- 6734 H1
- 6735 H1
- 6736 H1
- 6737 H1
- 6738 H1
- 6739 H1
- 6740 H1
- 6741 H1
- 6742 H1
- 6743 H1
- 6744 H1
- 6745 H1
- 6746 H1
- 6747 H1
- 6748 H1
- 6749 H1
- 6750 H1
- 6751 H1
- 6752 H1
- 6753 H1
- 6754 H1
- 6755 H1
- 6756 H1
- 6757 H1
- 6758 H1
- 6759 H1
- 6760 H1
- 6761 H1
- 6762 H1
- 6763 H1
- 6764 H1
- 6765 H1
- 6766 H1
- 6767 H1
- 6768 H1
- 6769 H1
- 6770 H1
- 6771 H1
- 6772 H1
- 6773 H1
- 6774 H1
- 6775 H1
- 6776 H1
- 6777 H1
- 6778 H1
- 6779 H1
- 6780 H1
- 6781 H1
- 6782 H1
- 6783 H1
- 6784 H1
- 6785 H1
- 6786 H1
- 6787 H1
- 6788 H1
- 6789 H1
- 6790 H1
- 6791 H1
- 6792 H1
- 6793 H1
- 6794 H1
- 6795 H1
- 6796 H1
- 6797 H1
- 6798 H1
- 6799 H1
- 6800 H1
- 6801 H1
- 6802 H1
- 6803 H1
- 6804 H1
- 6805 H1
- 6806 H1
- 6807 H1
- 6808 H1
- 6809 H1
- 6810 H1
- 6811 H1
- 6812 H1
- 6813 H1
- 6814 H1
- 6815 H1
- 6816 H1
- 6817 H1
- 6818 H1
- 6819 H1
- 6820 H1
- 6821 H1
- 6822 H1
- 6823 H1
- 6824 H1
- 6825 H1
- 6826 H1
- 6827 H1
- 6828 H1
- 6829 H1
- 6830 H1
- 6831 H1
- 6832 H1
- 6833 H1
- 6834 H1
- 6835 H1
- 6836 H1
- 6837 H1
- 6838 H1
- 6839 H1
- 6840 H1
- 6841 H1
- 6842 H1
- 6843 H1
- 6844 H1
- 6845 H1
- 6846 H1
- 6847 H1
- 6848 H1
- 6849 H1
- 6850 H1
- 6851 H1
- 6852 H1
- 6853 H1
- 6854 H1
- 6855 H1
- 6856 H1
- 6857 H1
- 6858 H1
- 6859 H1
- 6860 H1
- 6861 H1
- 6862 H1
- 6863 H1
- 6864 H1
- 6865 H1
- 6866 H1
- 6867 H1
- 6868 H1
- 6869 H1
- 6870 H1
- 6871 H1
- 6872 H1
- 6873 H1
- 6874 H1
- 6875 H1
- 6876 H1
- 6877 H1
- 6878 H1
- 6879 H1
- 6880 H1
- 6881 H1
- 6882 H1
- 6883 H1
- 6884 H1
- 6885 H1
- 6886 H1
- 6887 H1
- 6888 H1
- 6889 H1
- 6890 H1
- 6891 H1
- 6892 H1
- 6893 H1
- 6894 H1
- 6895 H1
- 6896 H1
- 6897 H1
- 6898 H1
- 6899 H1
- 6900 H1
- 6901 H1
- 6902 H1
- 6903 H1
- 6904 H1
- 6905 H1
- 6906 H1
- 6907 H1
- 6908 H1
- 6909 H1
- 6910 H1
- 6911 H1
- 6912 H1
- 6913 H1
- 6914 H1
- 6915 H1
- 6916 H1
- 6917 H1
- 6918 H1
- 6919 H1
- 6920 H1
- 6921 H1
- 6922 H1
- 6923 H1
- 6924 H1
- 6925 H1
- 6926 H1
- 6927 H1
- 6928 H1
- 6929 H1
- 6930 H1
- 6931 H1
- 6932 H1
- 6933 H1
- 6934 H1
- 6935 H1
- 6936 H1
- 6937 H1
- 6938 H1
- 6939 H1
- 6940 H1
- 6941 H1
- 6942 H1
- 6943 H1
- 6944 H1
- 6945 H1
- 6946 H1
- 6947 H1
- 6948 H1
- 6949 H1
- 6950 H1
- 6951 H1
- 6952 H1
- 6953 H1
- 6954 H1
- 6955 H1
- 6956 H1
- 6957 H1
- 6958 H1
- 6959 H1
- 6960 H1
- 6961 H1
- 6962 H1
- 6963 H1
- 6964 H1
- 6965 H1
- 6966 H1
- 6967 H1
- 6968 H1
- 6969 H1
- 6970 H1
- 6971 H1
- 6972 H1
- 6973 H1
- 6974 H1
- 6975 H1
- 6976 H1
- 6977 H1
- 6978 H1
- 6979 H1
- 6980 H1
- 6981 H1
- 6982 H1
- 6983 H1
- 6984 H1
- 6985 H1
- 6986 H1
- 6987 H1
- 6988 H1
- 6989 H1
- 6990 H1
- 6991 H1
- 6992 H1
- 6993 H1
- 6994 H1
- 6995 H1
- 6996 H1
- 6997 H1
- 6998 H1
- 6999 H1
- 7000 H1

KEY BOARD - COMPONENT LAYOUT

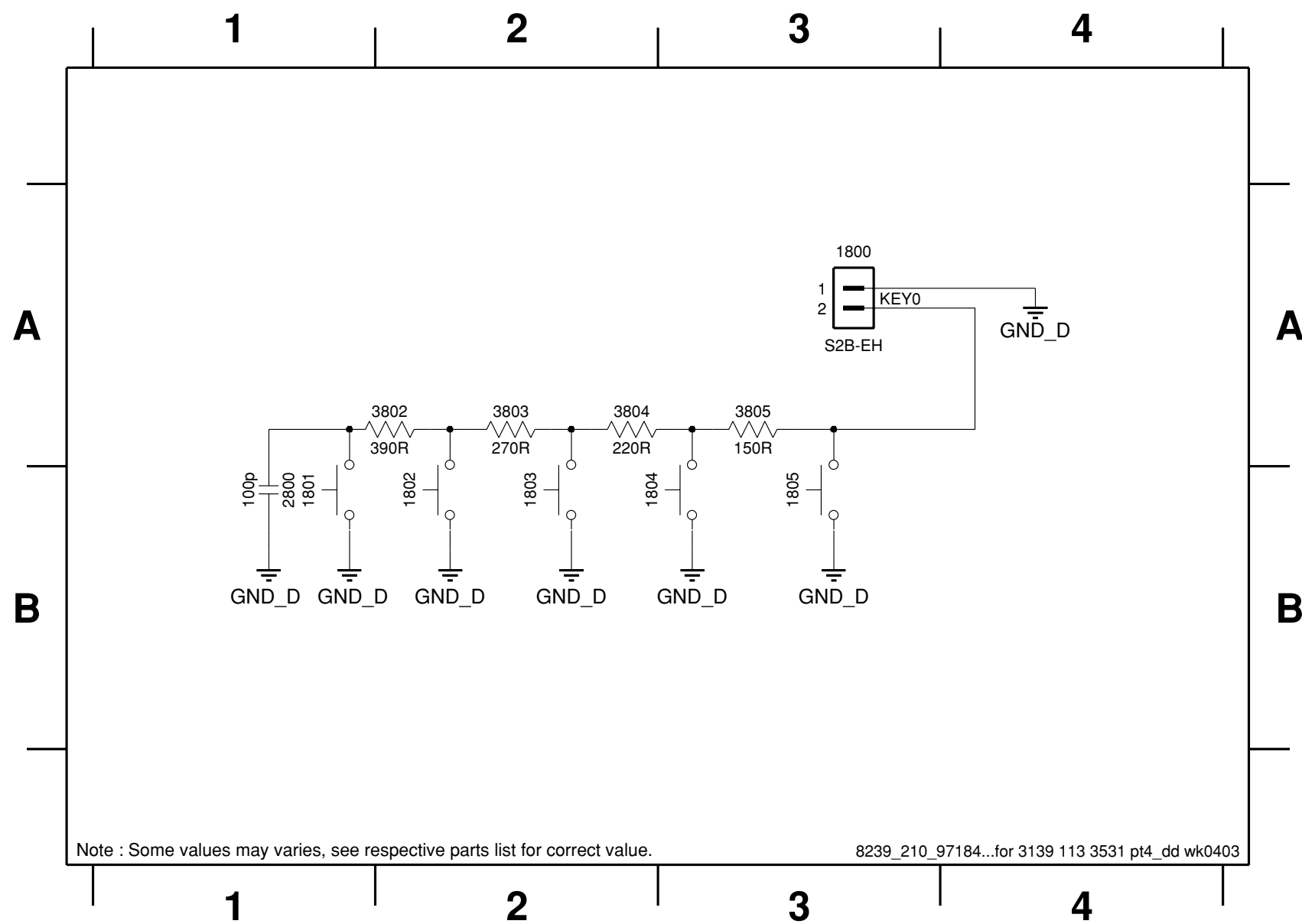


KEY BOARD - CHIP LAYOUT



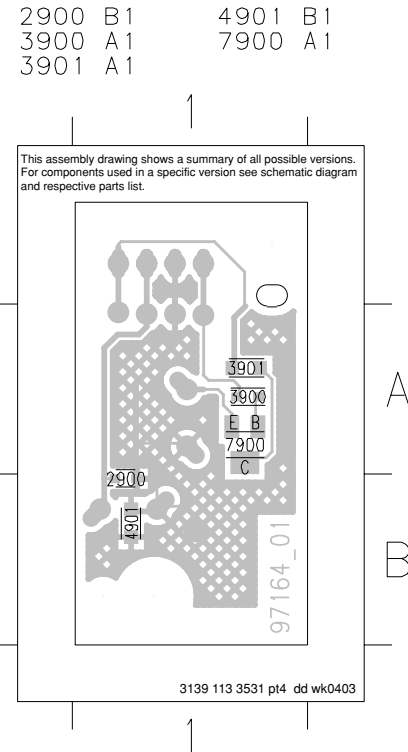
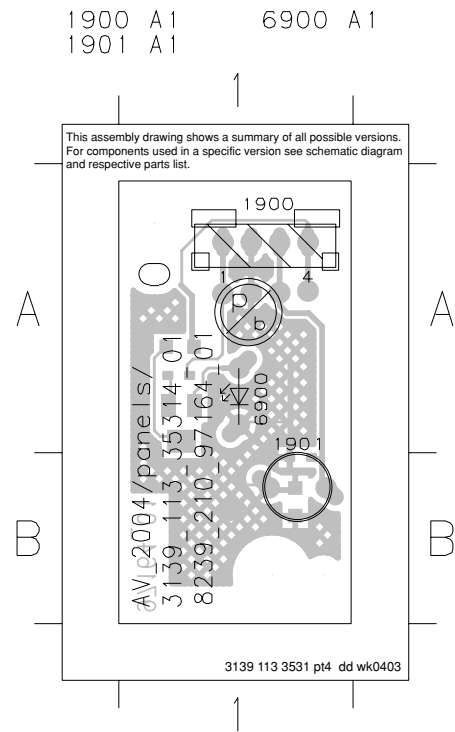
KEY BOARD - CIRCUIT DIAGRAM

1800 A3 1801 B1 1802 B2 1803 B2 1804 B2 1805 B3 2800 B1 3802 A2 3803 A2 3804 A2 3805 A3

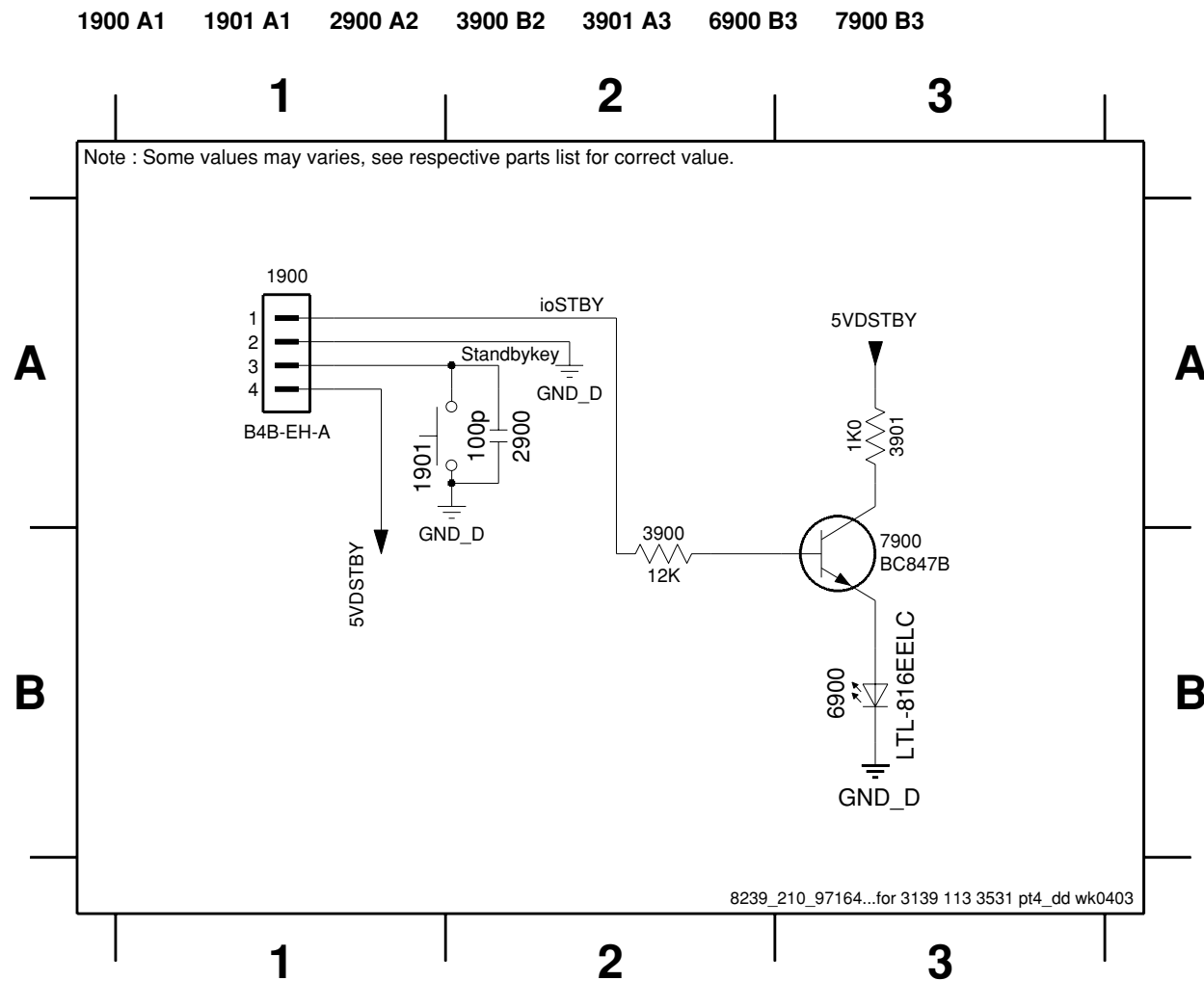


STANDBY BOARD - COMPONENT LAYOUT

STANDBY BOARD - CHIP LAYOUT



STANDBY BOARD - CIRCUIT DIAGRAM



ELECTRICAL PARTS LIST - FRONT BOARD

MISCELLANEOUS

1701	2422 540 98518	RES CER 8MHz
1702	3139 111 04131	FTD HUV-08SS57T
1702	3139 240 50731	FTD 20U26115TAN
1706	4822 276 13775	Tact Switch
1712	2422 025 16586	Flex Connector 9P
1713	2422 129 16975	Rotary Encoder 12P
1801	4822 276 13775	Tact Switch
1802	4822 276 13775	Tact Switch
1803	4822 276 13775	Tact Switch
1804	4822 276 13775	Tact Switch
1805	4822 276 13775	Tact Switch
1901	4822 276 13775	Tact Switch

3710	4822 117 12925	47k 1% 0,063W
3711	4822 051 30684	680k 5% 0,062W
3712	4822 117 11152	Δ 4R7 5%
3713	4822 117 10837	100k 1% 0,1W
3714	4822 051 30103	10k 5% 0,062W
3715	4822 051 30103	10k 5% 0,062W
3716	4822 051 30103	10k 5% 0,062W
3717	4822 051 30101	100R 5% 0,062W
3718	4822 051 30101	100R 5% 0,062W
3719	4822 051 30103	10k 5% 0,062W
3720	4822 051 30101	100R 5% 0,062W
3721	4822 051 30472	4k7 5% 0,062W
3722	4822 051 30103	10k 5% 0,062W
3723	4822 051 30472	4k7 5% 0,062W
3724	4822 051 30103	10k 5% 0,062W
3725	4822 051 30472	4k7 5% 0,062W
3726	4822 051 30472	4k7 5% 0,062W
3727	4822 051 30331	330R 5% 0,062W
3728	4822 051 30331	330R 5% 0,062W
3729	4822 051 30472	4k7 5% 0,062W
3730	4822 051 30472	4k7 5% 0,062W
3731	4822 051 30101	100R 5% 0,062W
3732	4822 051 30471	470R 5% 0,062W
3733	4822 051 30471	470R 5% 0,062W
3734	4822 051 30472	4k7 5% 0,062W
3735	4822 117 11817	1k2 1% 1/16W
3736	4822 051 30103	10k 5% 0,062W
3737	4822 051 30472	4k7 5% 0,062W
3738	4822 051 30103	10k 5% 0,062W
3739	4822 051 30103	10k 5% 0,062W
3740	4822 117 12925	47k 1% 0,063W
3741	4822 051 30472	4k7 5% 0,062W
3742	4822 051 30472	4k7 5% 0,062W
3743	4822 051 30472	4k7 5% 0,062W
3744	4822 051 30102	1k 5% 0,062W
3747	4822 051 30472	4k7 5% 0,062W
3750	4822 051 30102	1k 5% 0,062W
3751	4822 051 30472	4k7 5% 0,062W
3802	4822 051 30391	390R 5% 0,062W
3803	4822 051 30271	270R 5% 0,062W
3804	4822 051 30221	220R 5% 0,062W
3805	4822 051 30151	150R 5% 0,062W
3900	4822 051 30123	12k 5% 0,062W
3901	4822 051 10102	1k 2% 0,25W
4700	4822 051 30008	0R Jumper 0603
4701	4822 051 30008	0R Jumper 0603
4705	4822 051 30008	0R Jumper 0603
4706	4822 051 30008	0R Jumper 0603
4901	4822 051 20008	0R Jumper 0805

CAPACITORS

2701	4822 122 33752	15pF 5% 50V
2702	3198 016 31020	1nF 25V
2703	4822 122 33752	15pF 5% 50V
2704	5322 126 11583	10nF 10% 50V
2705	4822 126 14585	100nF 10% 50V
2706	4822 124 40433	47uF 20% 25V
2707	2238 586 59812	100nF +80/-20% 50V
2708	2238 586 59812	100nF +80/-20% 50V
2709	5322 126 11583	10nF 10% 50V
2710	4822 124 40433	47uF 20% 25V
2711	2238 586 59812	100nF +80/-20% 50V
2713	5322 126 11583	10nF 10% 50V
2714	2238 586 59812	100nF +80/-20% 50V
2715	3198 028 44790	47uF 20% 35V
2716	4822 126 14549	33nF 16V
2717	4822 124 12233	47uF 20% 25V
2719	4822 122 33761	22pF 5% 50V
2720	3198 028 41090	10uF 20% 35V
2721	2238 586 59812	100nF +80/-20% 50V
2722	2020 552 96305	4,7uF +80/-20% 10V
2724	3198 028 41090	10uF 20% 35V
2725	2238 916 15641	22nF 10% 25V
2726	4822 126 14238	2,2nF 50V
2732	2238 586 59812	100nF +80/-20% 50V
2733	2238 586 59812	100nF +80/-20% 50V
2800	2020 552 94427	100pF 5% 50V
2900	2020 552 94427	100pF 5% 50V

3710	4822 117 12925	47k 1% 0,063W
3711	4822 051 30684	680k 5% 0,062W
3712	4822 117 11152	Δ 4R7 5%
3713	4822 117 10837	100k 1% 0,1W
3714	4822 051 30103	10k 5% 0,062W
3715	4822 051 30103	10k 5% 0,062W
3716	4822 051 30103	10k 5% 0,062W
3717	4822 051 30101	100R 5% 0,062W
3718	4822 051 30101	100R 5% 0,062W
3719	4822 051 30103	10k 5% 0,062W
3720	4822 051 30101	100R 5% 0,062W
3721	4822 051 30472	4k7 5% 0,062W
3722	4822 051 30103	10k 5% 0,062W
3723	4822 051 30472	4k7 5% 0,062W
3724	4822 051 30103	10k 5% 0,062W
3725	4822 051 30472	4k7 5% 0,062W
3726	4822 051 30472	4k7 5% 0,062W
3727	4822 051 30331	330R 5% 0,062W
3728	4822 051 30331	330R 5% 0,062W
3729	4822 051 30472	4k7 5% 0,062W
3730	4822 051 30472	4k7 5% 0,062W
3731	4822 051 30101	100R 5% 0,062W
3732	4822 051 30471	470R 5% 0,062W
3733	4822 051 30471	470R 5% 0,062W
3734	4822 051 30472	4k7 5% 0,062W
3735	4822 117 11817	1k2 1% 1/16W
3736	4822 051 30103	10k 5% 0,062W
3737	4822 051 30472	4k7 5% 0,062W
3738	4822 051 30103	10k 5% 0,062W
3739	4822 051 30103	10k 5% 0,062W
3740	4822 117 12925	47k 1% 0,063W
3741	4822 051 30472	4k7 5% 0,062W
3742	4822 051 30472	4k7 5% 0,062W
3743	4822 051 30472	4k7 5% 0,062W
3744	4822 051 30102	1k 5% 0,062W
3747	4822 051 30472	4k7 5% 0,062W
3750	4822 051 30102	1k 5% 0,062W
3751	4822 051 30472	4k7 5% 0,062W
3802	4822 051 30391	390R 5% 0,062W
3803	4822 051 30271	270R 5% 0,062W
3804	4822 051 30221	220R 5% 0,062W
3805	4822 051 30151	150R 5% 0,062W
3900	4822 051 30123	12k 5% 0,062W
3901	4822 051 10102	1k 2% 0,25W
4700	4822 051 30008	0R Jumper 0603
4701	4822 051 30008	0R Jumper 0603
4705	4822 051 30008	0R Jumper 0603
4706	4822 051 30008	0R Jumper 0603
4901	4822 051 20008	0R Jumper 0805

RESISTORS

3700	4822 051 30272	2k7 5% 0,062W
3701	4822 051 30272	2k7 5% 0,062W
3702	4822 051 30102	1k 5% 0,062W
3703	4822 051 30471	470R 5% 0,062W
3704	4822 051 30272	2k7 5% 0,062W
3705	4822 051 30339	33R 5% 0,062W
3706	4822 051 30339	33R 5% 0,062W
3707	4822 051 30339	33R 5% 0,062W
3708	4822 051 30339	33R 5% 0,062W
3709	4822 051 30102	1k 5% 0,062W

3710	4822 117 12925	47k 1% 0,063W
3711	4822 051 30684	680k 5% 0,062W
3712	4822 117 11152	Δ 4R7 5%
3713	4822 117 10837	100k 1% 0,1W
3714	4822 051 30103	10k 5% 0,062W
3715	4822 051 30103	10k 5% 0,062W
3716	4822 051 30103	10k 5% 0,062W
3717	4822 051 30101	100R 5% 0,062W
3718	4822 051 30101	100R 5% 0,062W
3719	4822 051 30103	10k 5% 0,062W
3720	4822 051 30101	100R 5% 0,062W
3721	4822 051 30472	4k7 5% 0,062W
3722	4822 051 30103	10k 5% 0,062W
3723	4822 051 30472	4k7 5% 0,062W
3724	4822 051 30103	10k 5% 0,062W
3725	4822 051 30472	4k7 5% 0,062W
3726	4822 051 30472	4k7 5% 0,062W
3727	4822 051 30331	330R 5% 0,062W
3728	4822 051 30331	330R 5% 0,062W
3729	4822 051 30472	4k7 5% 0,062W
3730	4822 051 30472	4k7 5% 0,062W
3731	4822 051 30101	100R 5% 0,062W
3732	4822 051 30471	470R 5% 0,062W
3733	4822 051 30471	470R 5% 0,062W
3734	4822 051 30472	4k7 5% 0,062W
3735	4822 117 11817	1k2 1% 1/16W
3736	4822 051 30103	10k 5% 0,062W
3737	4822 051 30472	4k7 5% 0,062W
3738	4822 051 30103	10k 5% 0,062W
3739	4822 051 30103	10k 5% 0,062W
3740	4822 117 12925	47k 1% 0,063W
3741	4822 051 30472	4k7 5% 0,062W
3742	4822 051 30472	4k7 5% 0,062W
3743	4822 051 30472	4k7 5% 0,062W
3744	4822 051 30102	1k 5% 0,062W
3747	4822 051 30472	4k7 5% 0,062W
3750	4822 051 30102	1k 5% 0,062W
3751	4822 051 30472	4k7 5% 0,062W
3802	4822 051 30391	390R 5% 0,062W
3803	4822 051 30271	270R 5% 0,062W
3804	4822 051 30221	220R 5% 0,062W
3805	4822 051 30151	150R 5% 0,062W
3900	4822 051 30123	12k 5% 0,062W
3901	4822 051 10102	1k 2% 0,25W
4700	4822 051 30008	0R Jumper 0603
4701	4822 051 30008	0R Jumper 0603
4705	4822 051 30008	0R Jumper 0603
4706	4822 051 30008	0R Jumper 0603
4901	4822 051 20008	0R Jumper 0805

DIODES

6700	4822 130 30621	1N4148
6701	3198 020 55680	PDZ5.6B

ELECTRICAL PARTS LIST - FRONT BOARD

DIODES

6702	9340 548 54115	PDZ6.2B
6703	4822 130 30621	1N4148
6704	4822 130 30621	1N4148
6705	4822 130 34173	BZX79-C5V6
6706	4822 130 34173	BZX79-C5V6
6707	4822 130 34173	BZX79-C5V6
6708	3198 020 55680	PDZ5.6B
6709	4822 130 11397	BAS316
6710	4822 130 11397	BAS316
6711	4822 130 11397	BAS316
6712	4822 130 11397	BAS316
6713	4822 130 11397	BAS316
6714	4822 130 11397	BAS316
6715	4822 130 11397	BAS316
6716	4822 130 11397	BAS316
6717	4822 130 11397	BAS316
6718	4822 130 11397	BAS316
6719	4822 130 11397	BAS316
6900	9322 179 76676	LED VS LTL-816EELC

TRANSISTORS & INTEGRATED CIRCUITS

7700	3139 110 53731	TMP87C809BM - 'LX3900S53731'
7701	5322 130 60159	BC847B
7702	9322 202 26671	IC SM UPD16311GC-AB6
7703	4822 130 60373	BC857B
7704	4822 130 60373	BC857B
7705	4822 130 60373	BC857B
7706	4822 130 42804	BC817-25
7707	4822 130 60373	BC857B
7708	4822 130 60373	BC857B
7709	4822 130 60373	BC857B
7710	5322 130 60159	BC847B
7711	5322 130 60159	BC847B
7712	4822 130 60373	BC857B
7713	9322 185 95667	IR RECEIVERTSOP4836ZC1
7900	5322 130 60159	BC847B

Note : Only the parts mentioned in this list are normal service spare parts.

BRIEF INTRODUCTION OF THE AV BOARD

AV BOARD

TABLE OF CONTENTS

Brief Introduction of the AV Board	7-1
Top View Layout	7-2
Top & Bottom View Layout (Mapping)	7-3
Bottom View Layout	7-4
Circuit Diagram (Part 1)	7-5
Circuit Diagram (Part 2)	7-6
Circuit Diagram (Part 3)	7-7
Circuit Diagram (Part 4)	7-8
Circuit Diagram (Part 5)	7-9
Circuit Diagram (Part 6)	7-10
Electrical parts list	7-11

The AV Board consists of the following features :

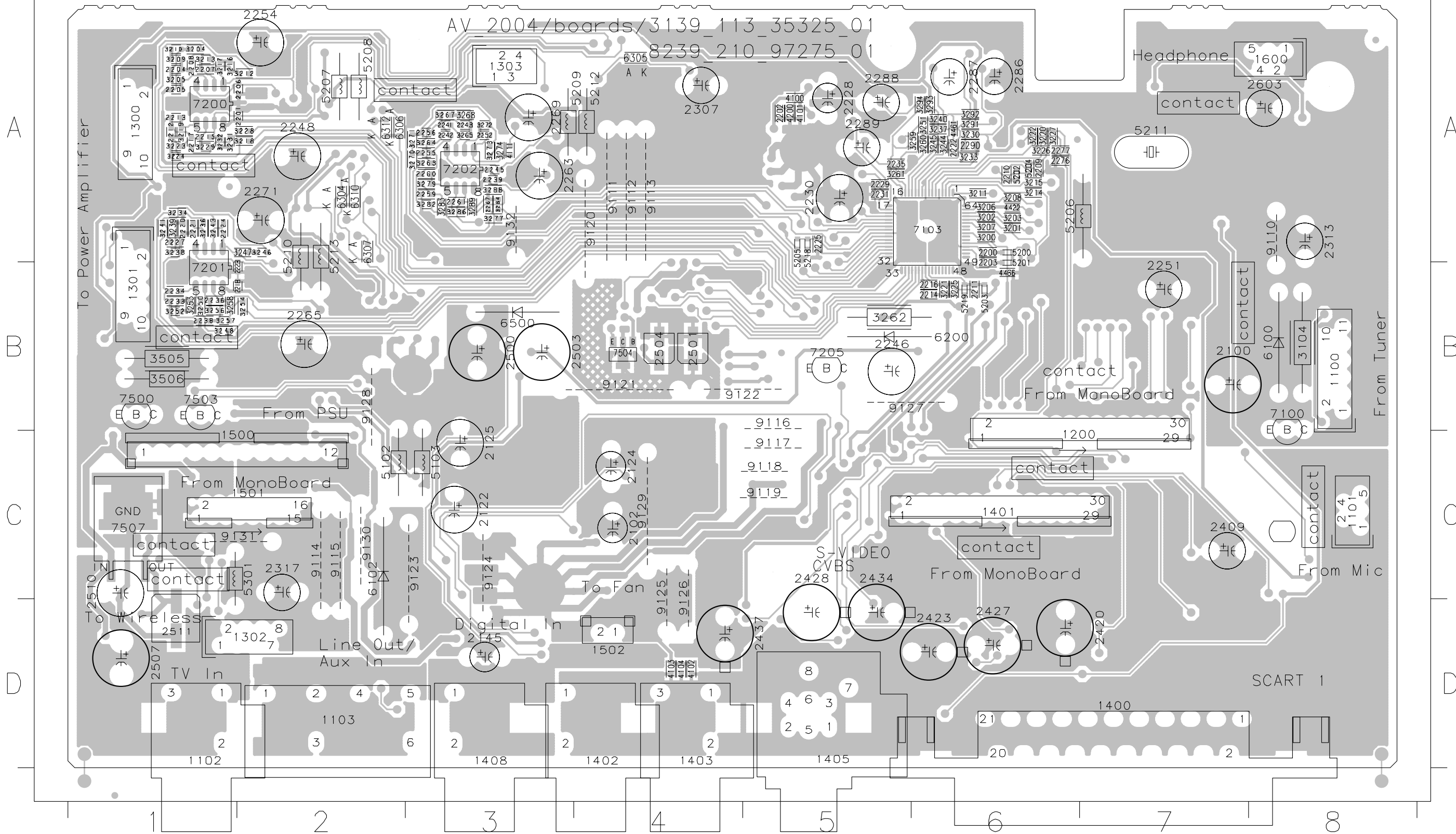
- a. IC CS42418
IC CS42418 which includes functions such as ADC and DAC, sound control, volume control and muting function.
Sound features such as DSC are controllable via I²C Bus from the SD6.1 module.

The IC caters for 2 channels analog input via a 4 stereo channels MUX HEF4052BT.
The MUX multiplexed between Aux In, TV In, Tuner and Mic In.
Input networks are included to provide appropriate attenuation for various sources.
- b. SCART (for /01 and /05 versions only)
SCART input/output for audio/video (output only) connection to TV.
- c. LINE OUT
Line out with cinch socket for connection to external amplifier.
- d. TV IN
TV In cinch socket for connection to external TV input.
- e. Y/Pb/Pr (not for /01 and /05 versions)
Y/Pb/Pr component video output with cinch socket for connection to TV.
Progressive Y/Pb/Pr is selected through RC.
- f. IC M62320FP
IC M62320FP which served as additional I/O port.
- g. DIGITAL IN
Digital In with cinch socket for connection to Digital Out of other audio equipments.
The Digital In source is fed to the SD6.1 module for audio decoding.

AV BOARD - TOP VIEW LAYOUT

This assembly drawing shows a summary of all possible versions. For components used in a specific version see schematic diagram and respective parts list.

3139 113 3532 pt5 dd wk0403



AV BOARD - TOP VIEW LAYOUT (MAPPING)

1100 B8	1600 A8	2211 B6	2231 A5	2259 A3	2409 C7	3202 A6	3220 A6	3239 A1	3260 A6	3286 A3	4466 B6	5219 B6	7500 B1	9124 C3
1101 C8	2100 B7	2212 A1	2233 B1	2260 A3	2420 D7	3203 A6	3221 B6	3240 A6	3261 A5	3288 A3	5102 C3	5301 C1	7503 B1	9125 C4
1102 D1	2102 C4	2213 A1	2234 B1	2261 A3	2423 D6	3204 A1	3222 A6	3241 A1	3262 B5	3289 A3	5103 C3	6100 B8	7504 B4	9126 C4
1103 D2	2122 C3	2214 B6	2235 A5	2263 A3	2427 D6	3205 A1	3223 A1	3243 A1	3263 A3	3291 A6	5200 A6	6102 C2	7507 C1	9127 B5
1200 C6	2124 C4	2215 A1	2236 B1	2265 B2	2428 C5	3206 A6	3224 A1	3244 A6	3264 A3	3292 A6	5201 B6	6200 B5	9110 A8	9128 B2
1300 A1	2125 C3	2216 B6	2238 B1	2267 A3	2434 C5	3207 A6	3225 B6	3245 A6	3265 A3	3293 A6	5202 A6	6304 A2	9111 A4	9129 C4
1301 B1	2145 D3	2217 A1	2239 A3	2269 A3	2437 D5	3208 A6	3226 A6	3246 A2	3267 A3	3294 A6	5203 B6	6305 A4	9112 A4	9130 C2
1302 D2	2200 A6	2218 B2	2241 A3	2271 A2	2500 B3	3209 A1	3227 A6	3247 A2	3268 A3	3505 B1	5204 A6	6306 A2	9113 A4	9131 C2
1303 A3	2201 A2	2220 A1	2242 A3	2276 A6	2501 B4	3210 A1	3228 A2	3248 B1	3270 A3	3506 B1	5205 A5	6307 A2	9114 C2	9132 A3
1400 D7	2202 A5	2221 A1	2243 A3	2277 A6	2503 B4	3211 A6	3229 A1	3250 B1	3271 A3	4100 A5	5206 A6	6310 A2	9115 C2	
1401 C6	2203 B6	2222 A6	2245 A3	2286 A6	2504 B4	3212 A2	3230 A6	3251 A6	3272 A3	4101 A5	5207 A2	6312 A2	9116 C5	
1402 D4	2204 A1	2223 B2	2246 B5	2287 A6	2507 D1	3213 A1	3231 A1	3252 B1	3273 A3	4102 D4	5208 A2	6500 B3	9117 C5	
1403 D4	2205 A1	2224 A1	2248 A2	2288 A5	2510 C1	3214 A6	3232 A1	3253 B1	3274 A3	4103 D4	5209 A3	7100 B8	9118 C5	
1405 D5	2206 A2	2225 A5	2251 B7	2289 A5	2511 D1	3215 A6	3233 A6	3254 B2	3277 A3	4104 D4	5210 A2	7103 A6	9119 C5	
1408 D3	2207 A1	2227 A1	2252 A3	2290 A6	2603 A8	3216 A1	3234 A1	3256 B1	3279 A3	4111 A3	5211 A7	7200 A1	9120 A4	
1500 C2	2208 A1	2228 A5	2254 A2	2307 A4	3104 B8	3217 A1	3236 A1	3257 B1	3282 A3	4200 A5	5212 A3	7201 B1	9121 B4	
1501 C2	2209 A6	2229 A5	2255 A3	2313 A8	3200 A6	3218 A2	3237 A6	3258 B1	3283 A3	4422 A6	5213 A2	7202 A3	9122 B4	
1502 D4	2210 A6	2230 A5	2256 A3	2317 C2	3201 A6	3219 A1	3238 A1	3259 A6	3284 A3	4461 A6	5218 A5	7205 B5	9123 C3	

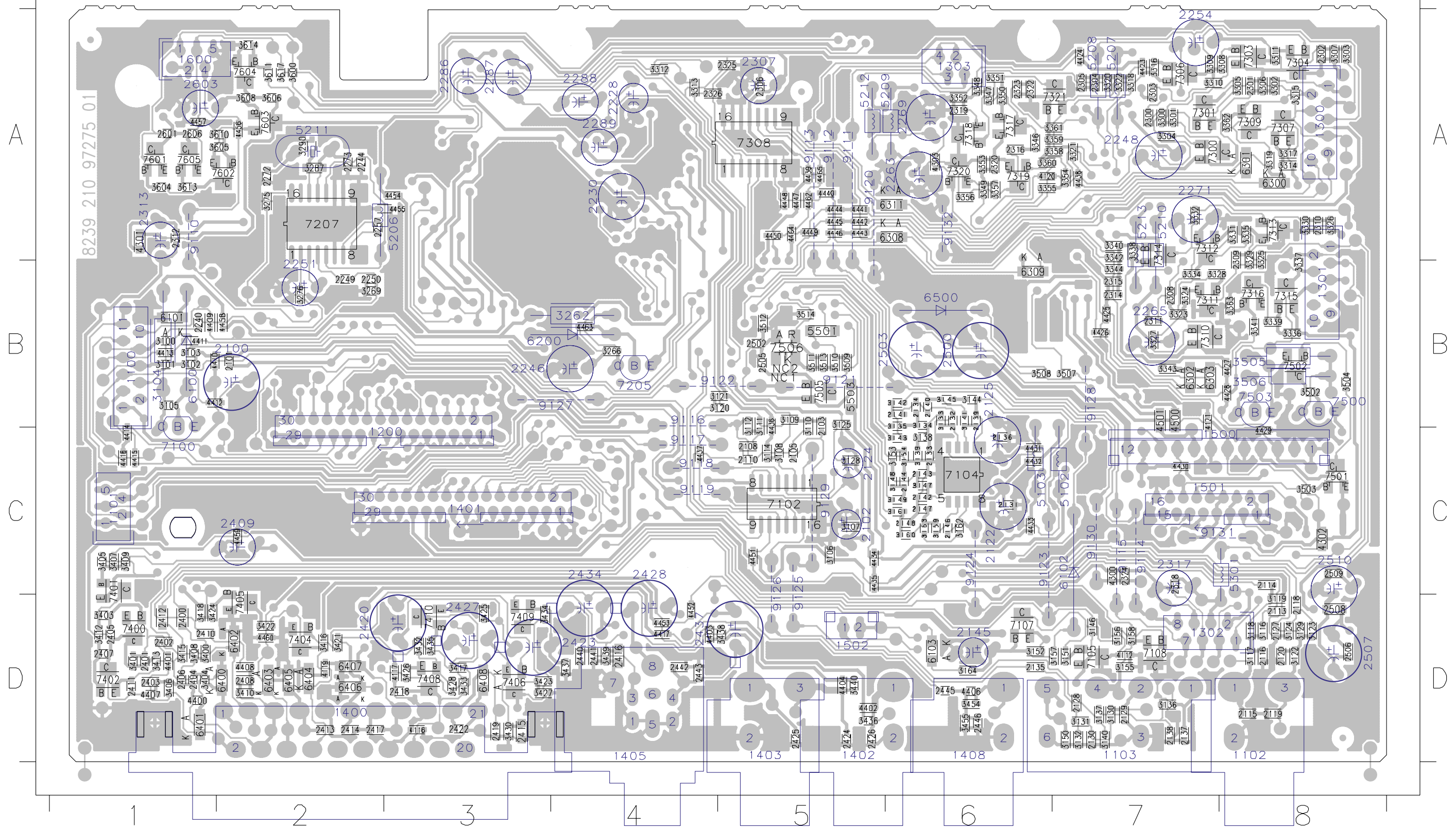
AV BOARD - BOTTOM VIEW LAYOUT (MAPPING)

2101 B2	2143 C6	2319 A6	2425 D5	3116 D8	3146 D7	3303 A8	3331 A8	3361 A7	3432 D3	3611 A2	4415 C1	4448 A5	6309 B6	7313 A8
2103 B5	2144 C6	2320 A6	2426 D5	3117 D8	3147 C6	3304 A7	3332 A7	3362 A8	3433 D3	3613 A1	4416 C1	4449 A5	6311 A6	7314 A7
2105 C5	2146 C6	2322 A6	2440 D4	3118 D8	3148 C6	3305 A8	3334 B7	3363 B8	3434 D3	3614 A2	4417 D4	4450 A5	6400 D2	7315 B8
2108 C5	2147 C6	2323 A6	2441 D4	3119 D8	3149 C6	3306 A8	3335 A8	3400 D1	3435 D3	3617 A2	4423 A7	4451 C5	6401 D1	7316 B8
2110 C5	2148 C6	2324 C7	2442 D4	3120 B5	3150 D7	3307 A8	3336 B8	3401 D1	3436 D5	4112 D7	4424 A7	4452 D4	6402 D2	7317 A6
2113 D8	2240 B1	2325 A5	2443 D4	3121 B5	3151 D7	3308 A8	3337 B8	3403 D1	3437 D4	4116 D3	4425 B7	4453 D4	6403 D2	7318 A6
2114 C8	2244 A2	2326 A4	2445 D6	3122 D8	3152 D6	3309 A7	3338 A7	3404 D1	3438 D5	4117 D3	4426 B7	4454 A3	6404 D2	7319 A6
2115 D8	2249 B2	2400 D1	2446 D6	3123 D8	3153 C6	3310 A7	3339 B8	3405 C1	3439 D4	4119 D2	4427 B8	4455 A3	6405 D2	7320 A6
2116 D8	2250 B2	2401 D1	2502 B5	3124 D8	3154 C6	3311 A8	3340 A7	3406 D1	3440 D5	4120 A6	4428 B8	4456 A2	6406 D2	7321 A7
2118 D8	2257 A2	2402 D1	2505 B5	3125 B5	3155 D7	3312 A4	3341 B8	3407 C1	3454 D6	4121 B7	4429 C8	4457 A1	6407 D2	7400 D1
2119 D8	2272 A2	2403 D1	2506 D8	3128 C5	3156 D7	3313 A4	3342 A7	3408 D1	3455 D6	4300 C7	4430 C7	4458 B2	6408 D3	7401 C1
2120 D8	2273 A2	2404 D1	2508 D8	3129 D8	3157 D7	3314 A8	3343 B7	3409 C1	3502 B8	4301 A1	4431 C6	4459 C2	7102 C5	7402 D1
2127 D8	2300 A7	2405 D1	2509 C8	3130 D7	3158 D7	3315 A8	3344 B7	3410 D2	3503 C8	4302 C8	4432 C6	4460 D2	7104 C6	7404 D2
2128 D7	2301 A8	2406 D1	2601 A1	3131 D7	3159 C6	3316 A7	3346 A6	3412 D1	3504 B8	4303 A6	4433 C6	4462 A5	7105 D7	7405 D2
2129 D7	2302 A8	2407 D1	2606 A1	3132 D7	3160 C6	3317 A8	3347 A6	3413 D1	3507 B7	4400 D1	4434 C5	4463 B4	7107 D6	7406 D3
2130 D7	2303 A7	2408 D2	3100 B1	3133 B6	3161 C6	3318 A7	3348 A6	3415 D1	3508 B6	4401 D1	4435 C5	4464 A5	7108 D7	7408 D3
2131 C6	2304 A7	2410 D1	3101 B1	3134 B6	3162 C6	3319 A8	3349 A6	3416 D2	3509 B5	4402 D5	4436 B5	4465 A5	7207 A2	7409 D3
2132 B6	2305 A7	2411 D1	3102 B1	3135 B6	3163 C6	3320 A7	3350 A6	3417 D3	3510 B5	4403 D4	4437 C4	4500 B7	7300 A7	7410 D3
2133 C6	2306 A5	2412 D1	3103 B1	3136 D7	3164 D6	3321 A7	3351 A6	3418 D1	3511 B5	4404 D5	4438 A7	4501 B7	7301 A7	7501 C8
2134 B6	2308 B7	2413 D2	3105 B1	3137 D7	3266 B4	3322 A7	3352 A6	3421 D2	3512 B5	4406 D6	4439 A5	5501 B5	7303 A8	7502 B8
2135 D6	2309 A8	2414 D2	3106 C5	3138 C6	3269 B2	3323 B7	3353 A6	3422 D2	3513 B5	4407 D1	4440 A5	5503 B5	7304 A8	7505 B5
2136 C6	2310 A8	2415 D3	3107 C5	3139 C6	3275 A2	3324 B7	3354 A7	3423 D3	3514 B5	4408 D2	4441 A5	6101 B1	7306 A7	7506 B5
2137 D7	2311 B7	2416 D4	3108 C5	3140 D7	3276 B2	3325 A8	3355 A6	3424 D1	3600 A2	4409 B1	4442 A5	6103 D6	7307 A8	7601 A1
2138 D7	2312 A1	2417 D2	3109 B5	3141 B6	3287 A2	3326 A8	3356 A6	3425 D3	3604 A1	4410 B1	4443 A5	6300 A8	7308 A5	7602 A2
2139 B6	2314 B7	2418 D3	3110 B5	3142 B6	3290 A2	3327 B7	3357 A6	3426 D3	3605 A2	4411 B1	4444 A5	6301 A8	7309 A8	7603 A2
2140 B6	2315 B7	2419 D3	3111 B5	3143 C6	3300 A7	3328 B7	3358 A7	3427 D3	3606 A2	4412 B1	4445 A5	6302 B7	7310 B7	7604 A2
2141 B6	2316 A6	2422 D3	3112 B5	3144 B6	3301 A7	3329 A8	3359 A7	3428 D3	3608 A2	4413 B1	4446 A5	6303 B7	7311 B7	7605 A1
2142 C6	2318 C7	2424 D5	3114 C5	3145 B6	3302 A8	3330 A8	3360 A6	3430 D3	3610 A2	4414 C1	4447 A5	6308 A6	7312 A7	
1100 B1	1302 D7	1408 D6	2122 C6	2248 A7	2286 A3	2409 C2	2500 B6	3505 B8	5209 A6	6102 C7	9110 A1	9117 C4	9124 C6	9131 C7
1101 C1	1303 A6	1500 C7	2124 C5	2251 B2	2287 A3	2420 D2	2503 B5	3506 B8	5210 A7	6200 B4	9111 A5	9118 C4	9125 C5	9132 A6
1102 D8	1400 D2	1501 C7	2125 C6	2254 A7	2288 A4	2423 D3	2507 D8	5102 C6	5211 A2	6500 B6	9112 A5	9119 C4	9126 C5	
1103 D7	1401 C3	1502 D5	2145 D6	2263 A6	2289 A4	2427 D3	2510 C8	5103 C6	5212 A6	7100 B1	9113 A5	9120 A5	9127 B4	
1200 C3	1402 D5	1600 A1	2228 A4	2265 B7	2307 A5	2428 C4	2603 A1	5206 A3	5213 A7	7205 B4	9114 C7	9121 B5	9128 B7	
1300 A8	1403 D5	2100 B2	2230 A4	2269 A6	2313 A1	2434 C4	3104 B1	5207 A7	5301 C8	7500 B8	9115 C7	9122 B4	9129 C5	
1301 B8	1405 D4	2102 C5	2246 B4	2271 A7	2317 C7	2437 D4	3262 B4	5208 A7	6100 B1	7503 B8	9116 C4	9123 C6	9130 C7	

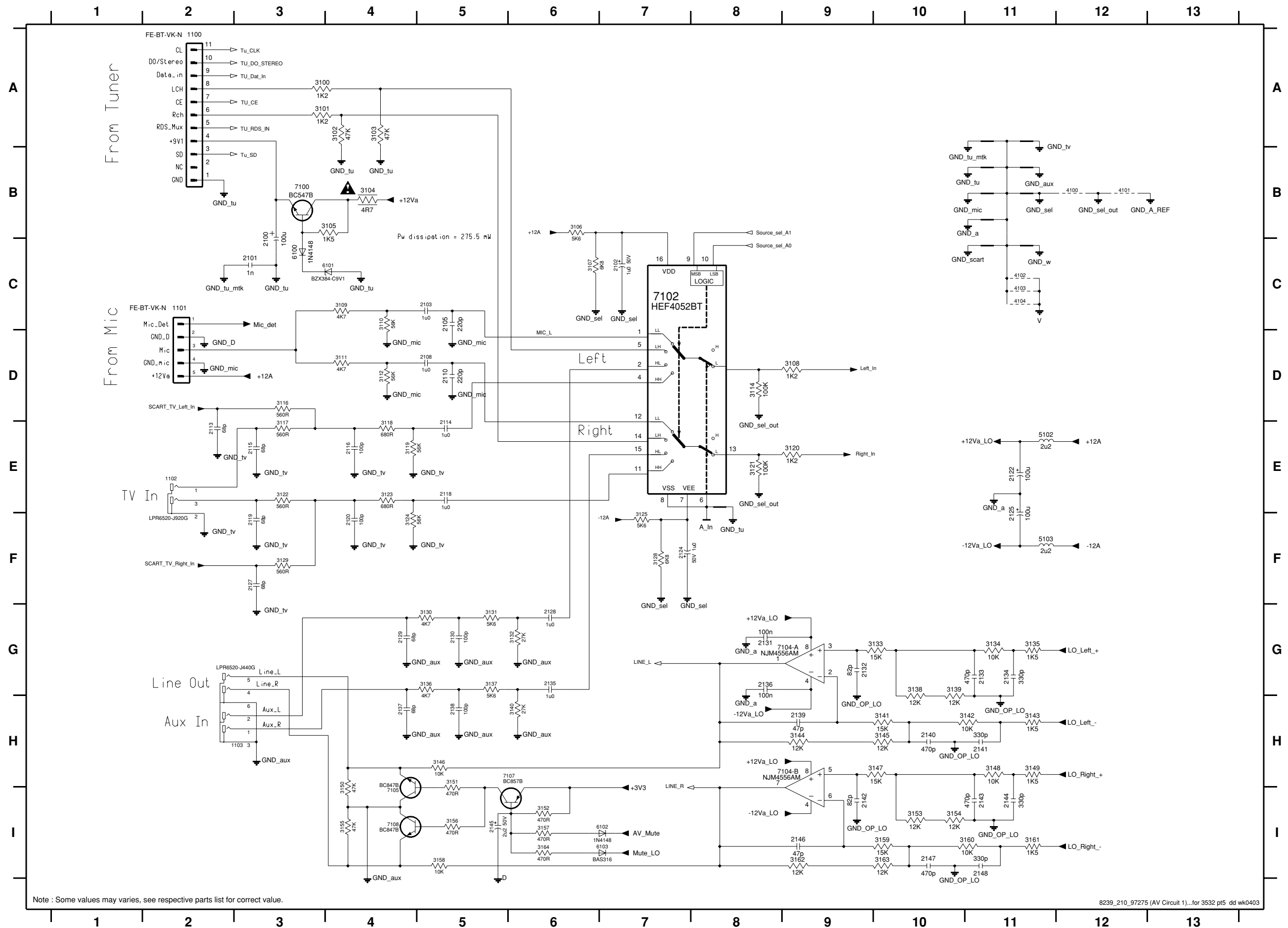
AV BOARD - BOTTOM VIEW LAYOUT

This assembly drawing shows a summary of all possible versions. For components used in a specific version see schematic diagram and respective parts list.

3139 113 3532 pt5 dd wk0403



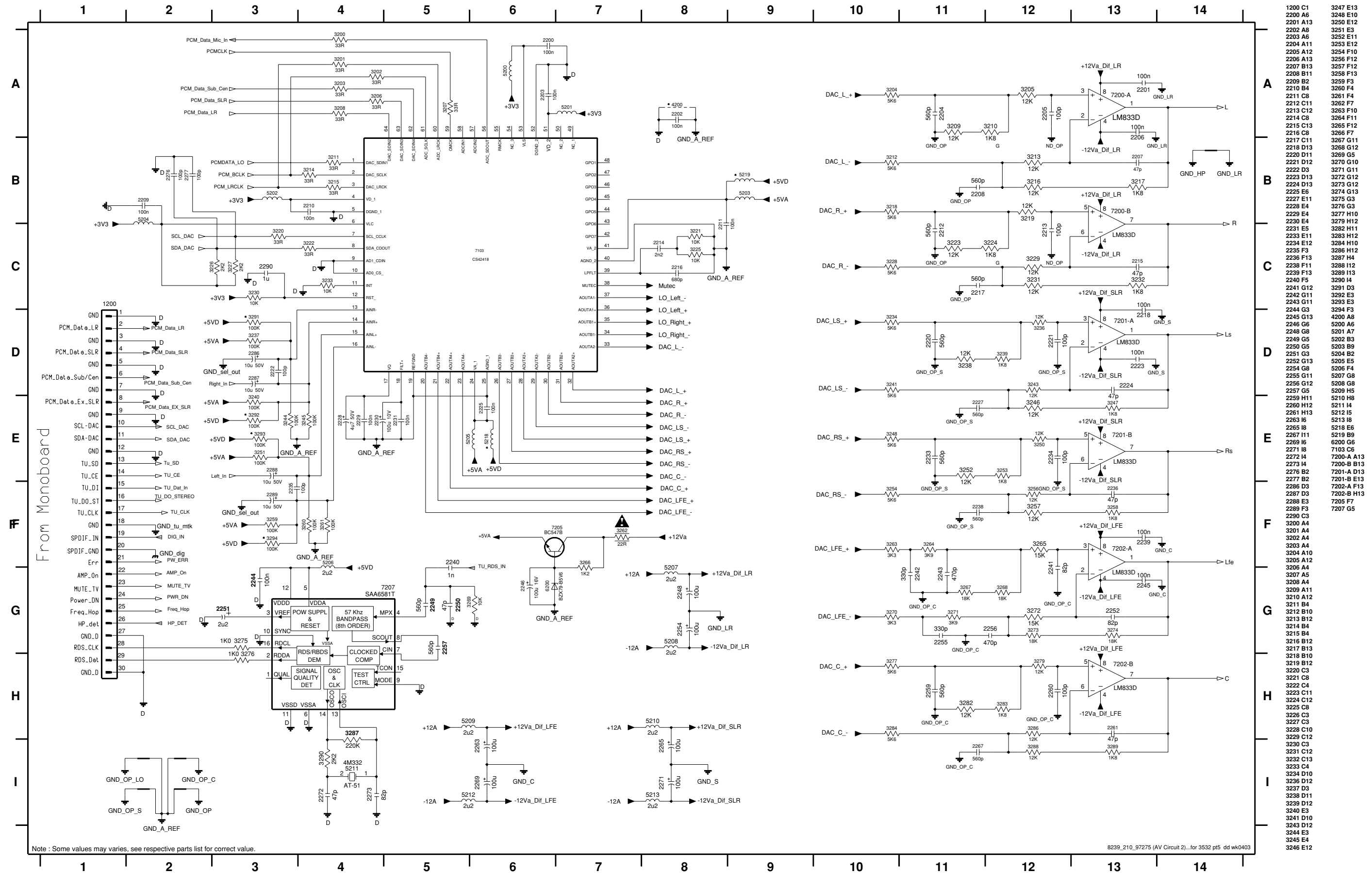
AV BOARD - CIRCUIT DIAGRAM (PART 1)



- 1100 A2
- 1101 C2
- 1102 E2
- 1103 H3
- 2100 C3
- 2101 C3
- 2102 C7
- 2103 C5
- 2105 C5
- 2108 D5
- 2110 D5
- 2113 E2
- 2114 E5
- 2115 E3
- 2116 E4
- 2118 E5
- 2119 F3
- 2120 F4
- 2122 E11
- 2124 F7
- 2125 F11
- 2127 F3
- 2128 G6
- 2129 G4
- 2130 G5
- 2131 G8
- 2132 G5
- 2133 G11
- 2134 G11
- 2135 G6
- 2136 G8
- 2137 H4
- 2138 H5
- 2139 H9
- 2140 H10
- 2141 H11
- 2142 I9
- 2143 I11
- 2144 I11
- 2145 I5
- 2146 I9
- 2147 I10
- 2148 I11
- 3100 A3
- 3101 A3
- 3102 A4
- 3103 A4
- 3104 B4
- 3105 B4
- 3106 B6
- 3107 C6
- 3108 D9
- 3109 C4
- 3110 C4
- 3111 D4
- 3112 D4
- 3114 D8
- 3116 D3
- 3117 E3
- 3118 E4
- 3119 E4
- 3120 E9
- 3121 E8
- 3122 E3
- 3123 E4
- 3124 F4
- 3125 F7
- 3128 F7
- 3129 F3
- 3130 G5
- 3131 G5
- 3132 G6
- 3133 G10
- 3134 G11
- 3135 G11
- 3136 G5
- 3137 G5
- 3138 G10
- 3139 G10
- 3140 H6
- 3141 H10
- 3142 H11
- 3143 H11
- 3144 H9
- 3145 H10
- 3146 H5
- 3147 H10
- 3148 H11
- 3149 H11
- 3150 I4
- 3151 H5
- 3152 I6
- 3153 I10
- 3154 I10
- 3155 I4
- 3156 I5
- 3157 I6
- 3158 I5
- 3159 I10
- 3160 I11
- 3161 I11
- 3162 I9
- 3163 I10
- 3164 I6
- 4100 B12
- 4101 B12
- 4102 C11
- 4103 C11
- 4104 C11
- 5102 E11
- 5103 F11
- 6100 C3
- 6101 C4
- 6102 I7
- 6103 I7
- 7100 B3
- 7102 C7
- 7104-A G9
- 7104-B H9
- 7105 I4
- 7107 H5
- 7108 I4

Note : Some values may varies, see respective parts list for correct value.

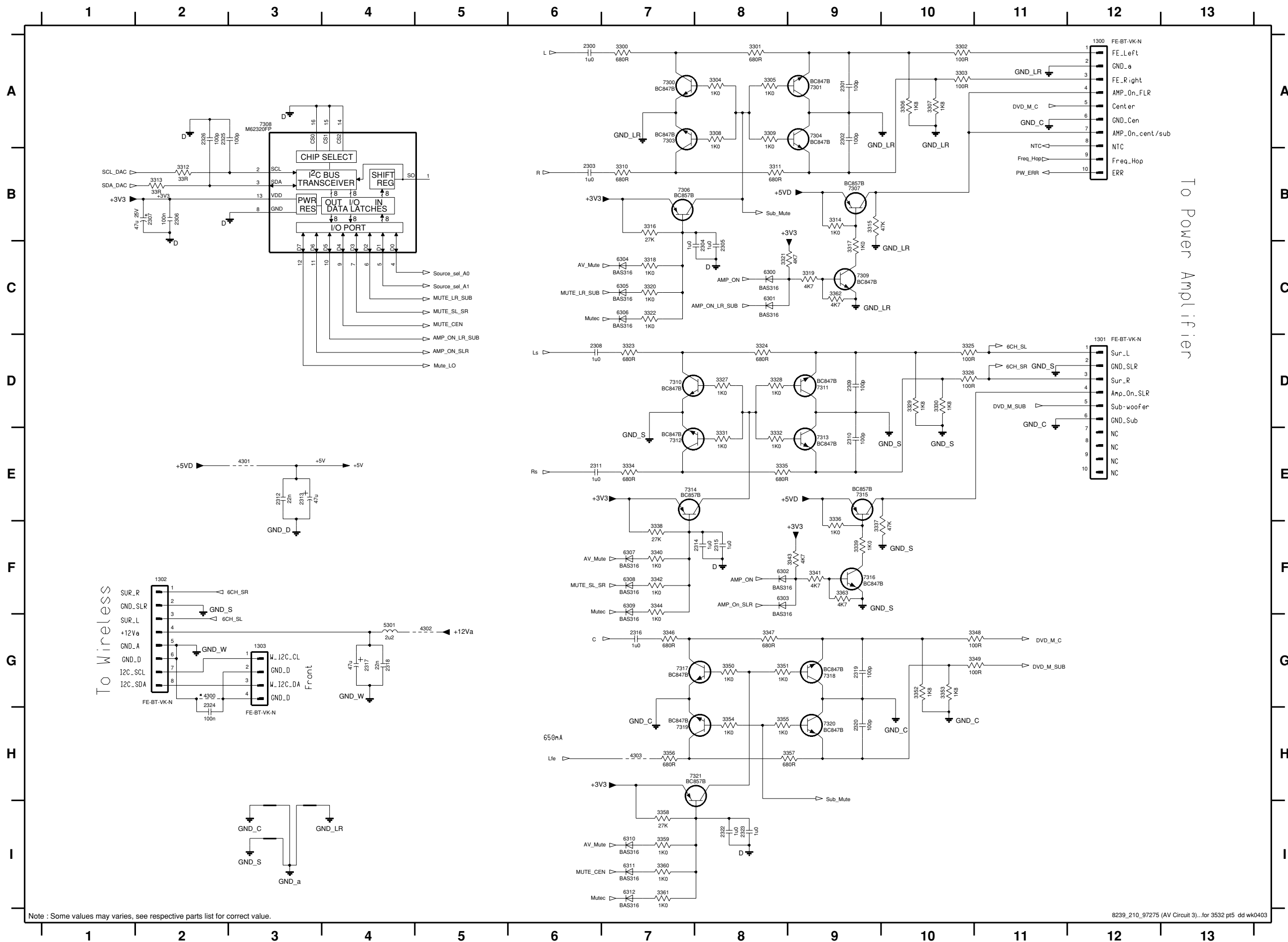
AV BOARD - CIRCUIT DIAGRAM (PART 2)



- 1200 C1
- 2200 A6
- 2201 A13
- 2202 A8
- 2203 A6
- 2204 A11
- 2205 A12
- 2206 A13
- 2207 B13
- 2208 B11
- 2209 B2
- 2210 B4
- 2211 C8
- 2212 C11
- 2213 C12
- 2214 C8
- 2215 C13
- 2216 C8
- 2217 C11
- 2218 D13
- 2220 D11
- 2221 D12
- 2222 D3
- 2223 D13
- 2224 D13
- 2225 E6
- 2227 E11
- 2228 E4
- 2229 E4
- 2230 E4
- 2231 E5
- 2232 E11
- 2234 E12
- 2235 F3
- 2236 F13
- 2238 F11
- 2239 F3
- 2240 F5
- 2241 G12
- 2242 G11
- 2243 G11
- 2244 G3
- 2245 G13
- 2246 G6
- 2248 G8
- 2249 G5
- 2250 G5
- 2251 G3
- 2252 G13
- 2254 H8
- 2255 G11
- 2256 G12
- 2257 G5
- 2259 H11
- 2260 H12
- 2261 H13
- 2263 I6
- 2265 I8
- 2269 I11
- 2269 I6
- 2271 I8
- 2272 I4
- 2273 I4
- 2276 B2
- 2277 B2
- 2286 D5
- 2287 D3
- 2288 E3
- 2289 F3
- 2290 C3
- 3200 A4
- 3201 A4
- 3202 A4
- 3203 A4
- 3204 A10
- 3205 A12
- 3206 A4
- 3207 A5
- 3208 A4
- 3209 A11
- 3210 A12
- 3211 B4
- 3212 B10
- 3213 B12
- 3214 B4
- 3215 B4
- 3216 B12
- 3217 B13
- 3218 B10
- 3219 B12
- 3220 C3
- 3221 C8
- 3222 C4
- 3223 C11
- 3224 C12
- 3225 C8
- 3226 C3
- 3227 C3
- 3228 C10
- 3229 C12
- 3230 C3
- 3231 C12
- 3232 C13
- 3233 C4
- 3234 D10
- 3236 D12
- 3237 D3
- 3238 D11
- 3239 D12
- 3240 E3
- 3241 D10
- 3243 D12
- 3244 E3
- 3245 E4
- 3246 E12
- 3247 E13
- 3248 E10
- 3250 E12
- 3251 E3
- 3252 E11
- 3253 E12
- 3254 F10
- 3256 F12
- 3257 F12
- 3258 F13
- 3259 F3
- 3260 F4
- 3261 F4
- 3262 F7
- 3263 F10
- 3264 F11
- 3265 F12
- 3266 F7
- 3267 G11
- 3268 G12
- 3269 G5
- 3270 G10
- 3271 G11
- 3272 G12
- 3273 G12
- 3274 G13
- 3275 G3
- 3276 G3
- 3277 H10
- 3279 H12
- 3282 H11
- 3283 H12
- 3284 H10
- 3286 H12
- 3287 H4
- 3288 H12
- 3289 H13
- 3290 H4
- 3291 D3
- 3292 E3
- 3293 E3
- 3294 F3
- 4200 A8
- 5200 A6
- 5201 A7
- 5202 B3
- 5203 B9
- 5204 B2
- 5205 E5
- 5206 F4
- 5207 G8
- 5208 G8
- 5209 H5
- 5210 H8
- 5211 I4
- 5212 I5
- 5213 I8
- 5218 E6
- 5219 B9
- 6200 G6
- 7103 C6
- 7200-A B13
- 7200-B B13
- 7201-A D13
- 7201-B E13
- 7202-A F13
- 7202-B H13
- 7205 F7
- 7207 G5

Note : Some values may varies, see respective parts list for correct value.

AV BOARD - CIRCUIT DIAGRAM (PART 3)

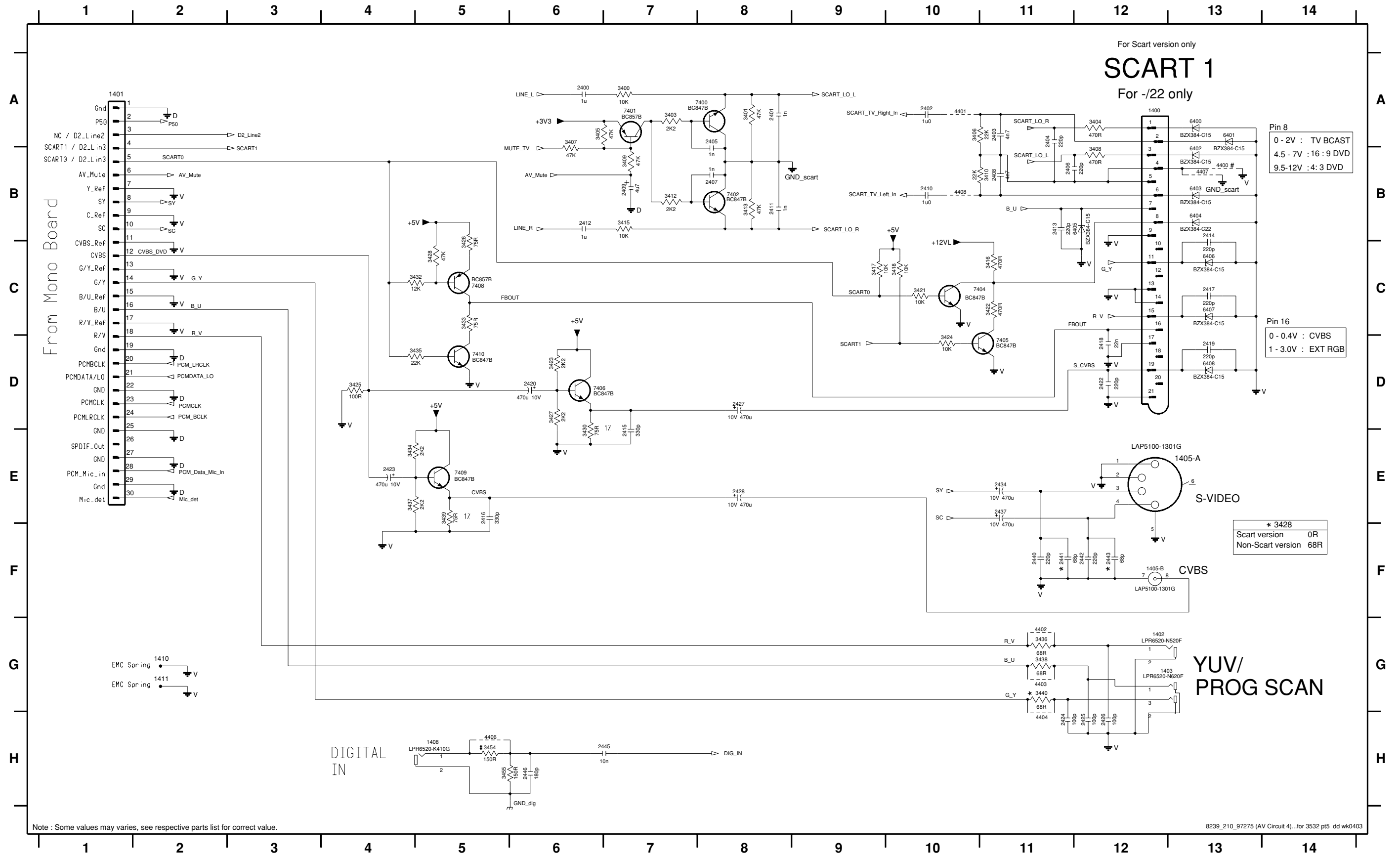


- 1300 A12 FE-BT-VK-N
- 1301 D12 FE_Left
- 1302 F2 GND_a
- 1303 G3 FE_Right
- 2300 A6 AMP_On_FLR
- 2301 A9 Center
- 2302 A9 GND_Cen
- 2303 B6 AMP_On_cent/sub
- 2304 C8 NTC
- 2305 C8 Freq_Hop
- 2306 B2 ERR
- 2307 B2
- 2308 D6
- 2309 D9
- 2310 E9
- 2311 E3
- 2312 E3
- 2313 E3
- 2314 F8
- 2315 F8
- 2316 G7
- 2317 G4
- 2318 G4
- 2319 G9
- 2320 H9
- 2322 I8
- 2323 I8
- 2324 H2
- 2325 A2
- 2326 A2
- 3300 A7
- 3301 A8
- 3302 A10
- 3303 A10
- 3304 A9
- 3305 A8
- 3306 A10
- 3307 A10
- 3308 A8
- 3309 A8
- 3310 B7
- 3311 B8
- 3312 B2
- 3313 B2
- 3314 B9
- 3315 B9
- 3316 B7
- 3317 C9
- 3318 C7
- 3319 C9
- 3320 C7
- 3321 C8
- 3322 C7
- 3323 D7
- 3324 D8
- 3325 D10
- 3326 D10
- 3327 D8
- 3328 D8
- 3329 D10
- 3330 D10
- 3331 E8
- 3332 E8
- 3333 E8
- 3334 F9
- 3335 F9
- 3336 F9
- 3337 F9
- 3338 F7
- 3339 F7
- 3340 F7
- 3341 F9
- 3342 F7
- 3343 F9
- 3344 F7
- 3346 G7
- 3347 G8
- 3348 G11
- 3349 G11
- 3350 G8
- 3351 G8
- 3352 G10
- 3353 G10
- 3354 H8
- 3355 H8
- 3356 H7
- 3357 H9
- 3358 I7
- 3359 I7
- 3360 I7
- 3361 I7
- 3362 C9
- 3363 F9
- 4300 G2
- 4301 E3
- 4302 G5
- 4303 H7
- 5301 G4
- 6300 C8
- 6301 C8
- 6302 F8
- 6303 F8
- 6304 C7
- 6305 C7
- 6306 C7
- 6307 F7
- 6308 F7
- 6309 F7
- 6310 I7
- 6311 I7
- 6312 I7
- 7300 A7
- 7301 A9
- 7303 A7
- 7304 A9
- 7306 B7
- 7307 B9
- 7308 A3
- 7309 C9
- 7310 D7
- 7311 D9
- 7312 E7
- 7313 E9
- 7314 E8
- 7315 E9
- 7316 F9
- 7317 H7
- 7318 G9
- 7319 H7
- 7320 H9
- 7321 H7

Note : Some values may varies, see respective parts list for correct value.

AV BOARD - CIRCUIT DIAGRAM (PART 4)

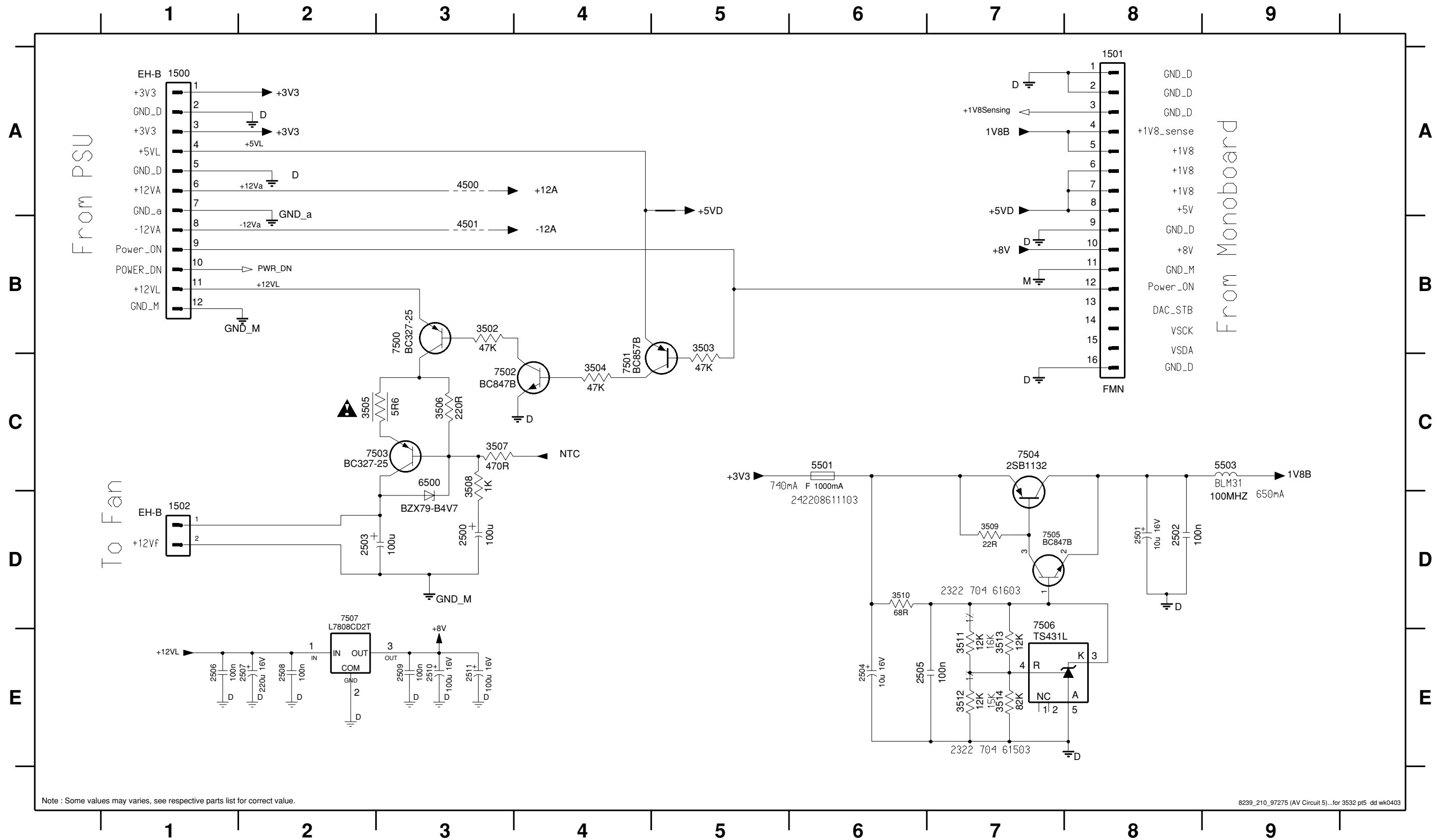
1400 A12	1405-A E13	1411 G2	2403 A11	2407 B8	2411 B8	2415 E7	2419 D13	2424 H11	2428 E8	2441 F11	2446 H6	3404 A12	3408 B12	3413 B8	3418 C10	3424 D10	3428 C5	3434 E4	3438 G11	3455 H5	4403 G11	4408 B10	6403 B13	6407 C13	7402 B8	7408 C5
1401 A1	1405-B F12	2400 A6	2404 A11	2408 B11	2412 B6	2416 E5	2420 D6	2425 H12	2434 E11	2442 F12	3400 A7	3405 A6	3409 B7	3415 B7	3421 C10	3425 D4	3430 E6	3435 D5	3439 E5	4400 B13	4404 H11	6400 A13	6404 B13	6408 D13	7404 C10	7409 E5
1402 G12	1408 H5	2401 A8	2405 A8	2409 B7	2413 B11	2417 C13	2422 D12	2426 H12	2437 E11	2443 F12	3401 A8	3406 A10	3410 B11	3416 C11	3422 C11	3426 C5	3432 C5	3436 G11	3440 G11	4401 A10	4406 H5	6401 A13	6405 B12	7400 A7	7405 D11	7410 D5
1403 G12	1410 G2	2402 A10	2406 B11	2410 B10	2414 B13	2418 D12	2423 E4	2427 D8	2440 F1	2445 H7	3403 A7	3407 A6	3412 B7	3417 C9	3423 D6	3427 D6	3433 C5	3437 E4	3454 H5	4402 G11	4407 B13	6402 B13	6406 C13	7401 A7	7406 D7	



Note : Some values may varies, see respective parts list for correct value.

AV BOARD - CIRCUIT DIAGRAM (PART 5)

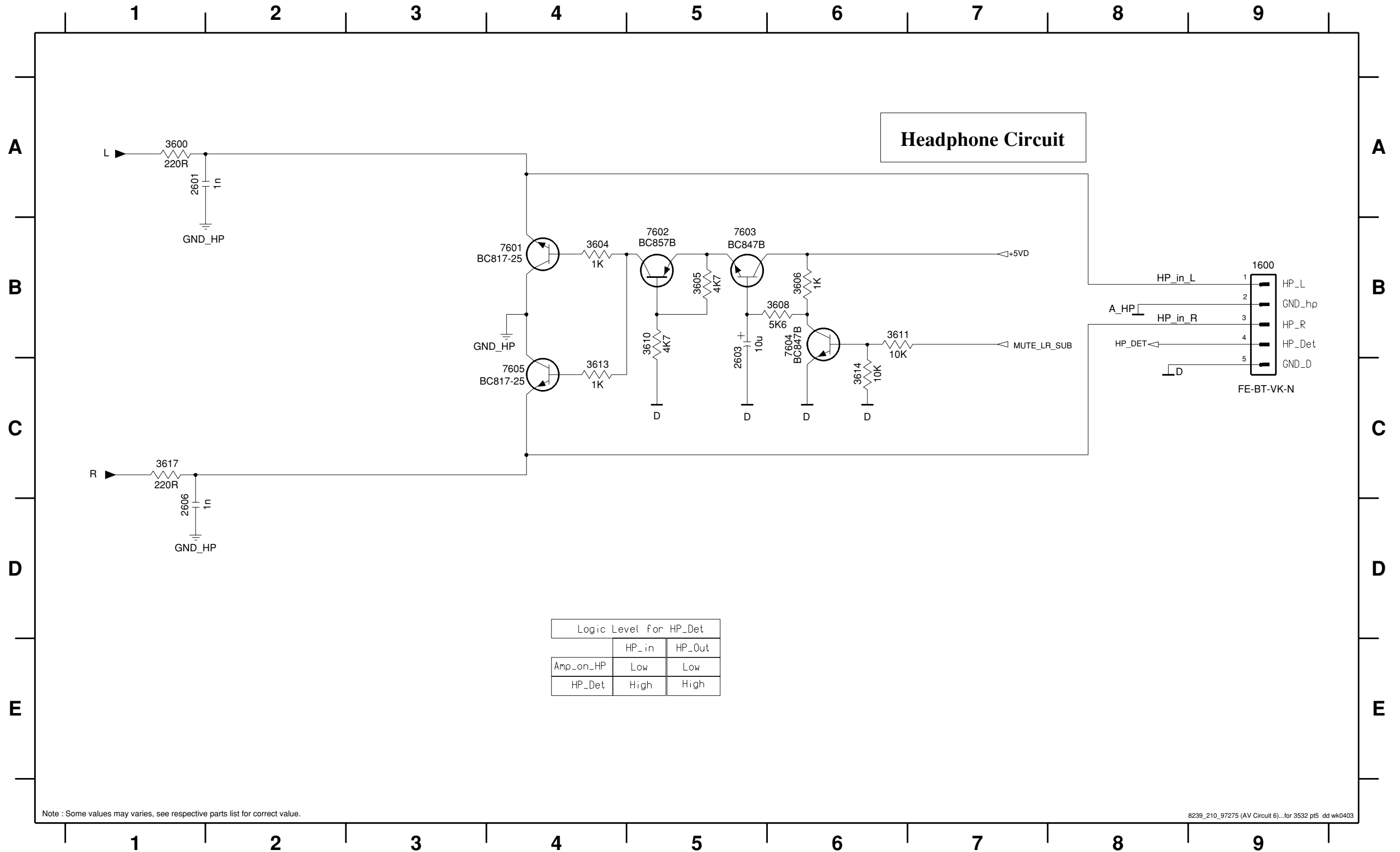
- 1500 A1 1502 D1 2501 D8 2503 D2 2505 E6 2507 E2 2509 E3 2511 E3 3503 B5 3505 C2 3507 C3 3509 D7 3511 E7 3513 E7 4500 A3 5501 C6 6500 C3 7501 C4 7503 C3 7505 D7 7507 D2
- 1501 A8 2500 D3 2502 D8 2504 E6 2506 E1 2508 E2 2510 E3 3502 B3 3504 C4 3506 C3 3508 C3 3510 D6 3512 E7 3514 E7 4501 B3 5503 C9 7500 C3 7502 C4 7504 C7 7506 D7



Note : Some values may varies, see respective parts list for correct value.

AV BOARD - CIRCUIT DIAGRAM (PART 6)

1600 B9 2601 A1 2603 B5 2606 D1 3600 A1 3604 B4 3605 B5 3606 B6 3608 B6 3610 B5 3611 B6 3613 C4 3614 C6 3617 C1 7601 B4 7602 B5 7603 B5 7604 B6 7605 C4



ELECTRICAL PARTS LIST - AV BOARD**MISCELLANEOUS**

1100	4822 267 11039	Flex Connector 11P
1101	4822 265 31205	Flex Connector 5P
1102	2422 026 04754	Soc. Cinch 2P (TV in) /69/75/93
1103	2422 026 05462	Socket Cinch 4P(Aux-in/Line-out)
1200	2422 025 17433	Flex Connector 30P
1300	4822 267 10729	Flex Connector 10P
1301	4822 267 10729	Flex Connector 10P
1400	2422 025 12352	Socket Scart 21P /01/05
1401	2422 025 17433	Flex Connector 30P
1402	2422 026 05531	Soc. Cinch 1P (Pr) /69/75/93
1403	2422 026 05529	Soc. Cinch 2P (Y/Pb) /69/75/93
1405	2422 033 00468	Socket 2P (S-Video/CVBS)
1408	2422 026 05427	Socket Cinch 1P (Digital in)
1410	3139 241 21102	EMC Spring
1411	3139 241 21102	EMC Spring
1501	2422 025 16525	Flex Connector 16P
1600	4822 265 31205	Flex Connector 5P

CAPACITORS

2100	4822 124 41643	100uF 20% 16V
2101	5322 126 11578	1nF 10% 50V
2102	4822 124 22651	1uF 20% 50V
2103	3198 017 41050	1uF 10V
2105	4822 126 13883	220pF 5% 50V
2108	3198 017 41050	1uF 10V
2110	4822 126 13883	220pF 5% 50V
2113	4822 126 14221	68pF 5% 50V /01/05
2114	3198 017 41050	1uF 10V
2115	4822 126 14221	68pF 5% 50V /69/75/93
2116	2020 552 94427	100pF 5% 50V
2118	3198 017 41050	1uF 10V
2119	4822 126 14221	68pF 5% 50V /69/75/93
2120	2020 552 94427	100pF 5% 50V
2122	4822 124 23052	100uF 20% 16V
2124	4822 124 22651	1uF 20% 50V
2125	4822 124 23052	100uF 20% 16V
2127	4822 126 14221	68pF 5% 50V /01/05
2128	3198 017 41050	1uF 10V
2129	4822 126 14221	68pF 5% 50V
2130	2020 552 94427	100pF 5% 50V
2131	2238 586 59812	100nF +80/-20% 50V
2132	4822 126 14226	82pF 5% 50V
2133	4822 126 13881	470pF 5% 50V
2134	4822 126 14241	330pF 50V
2135	3198 017 41050	1uF 10V
2136	2238 586 59812	100nF +80/-20% 50V
2137	4822 126 14221	68pF 5% 50V
2138	2020 552 94427	100pF 5% 50V
2139	4822 126 11785	47pF 5% 50V
2140	4822 126 13881	470pF 5% 50V
2141	4822 126 14241	330pF 50V
2142	4822 126 14226	82pF 5% 50V
2143	4822 126 13881	470pF 5% 50V

2144	4822 126 14241	330pF 50V
2145	4822 124 22652	2,2uF 20% 50V
2146	4822 126 11785	47pF 5% 50V
2147	4822 126 13881	470pF 5% 50V
2148	4822 126 14241	330pF 50V
2200	2238 586 59812	100nF +80/-20% 50V
2201	2238 586 59812	100nF +80/-20% 50V
2202	2238 586 59812	100nF +80/-20% 50V
2203	2238 586 59812	100nF +80/-20% 50V
2204	4822 126 14249	560pF 10% 50V
2205	2020 552 94427	100pF 5% 50V
2206	2238 586 59812	100nF +80/-20% 50V
2207	4822 126 11785	47pF 5% 50V
2208	4822 126 14249	560pF 10% 50V
2209	2238 586 59812	100nF +80/-20% 50V
2210	2238 586 59812	100nF +80/-20% 50V
2211	2238 586 59812	100nF +80/-20% 50V
2212	4822 126 14249	560pF 10% 50V
2213	2020 552 94427	100pF 5% 50V
2214	4822 126 14238	2,2nF 50V
2215	4822 126 11785	47pF 5% 50V
2216	3198 016 36810	680pF 25V
2217	4822 126 14249	560pF 10% 50V
2218	2238 586 59812	100nF +80/-20% 50V
2220	4822 126 14249	560pF 10% 50V
2221	2020 552 94427	100pF 5% 50V
2222	2020 552 94427	100pF 5% 50V
2223	2238 586 59812	100nF +80/-20% 50V
2224	4822 126 11785	47pF 5% 50V
2225	2238 586 59812	100nF +80/-20% 50V
2227	4822 126 14249	560pF 10% 50V
2228	4822 124 40769	4,7uF 20% 100V
2229	2238 586 59812	100nF +80/-20% 50V
2230	3198 037 11010	100uF 20% 10V
2231	2238 586 59812	100nF +80/-20% 50V
2233	4822 126 14249	560pF 10% 50V
2234	2020 552 94427	100pF 5% 50V
2235	2020 552 94427	100pF 5% 50V
2236	4822 126 11785	47pF 5% 50V
2238	4822 126 14249	560pF 10% 50V
2239	2238 586 59812	100nF +80/-20% 50V
2240	3198 016 31020	1nF 25V
2241	4822 126 14226	82pF 5% 50V
2242	4822 126 14241	330pF 50V
2243	4822 126 13881	470pF 5% 50V
2244	2238 586 59812	100nF +80/-20% 50V
2245	2238 586 59812	100nF +80/-20% 50V
2246	4822 124 23052	100uF 20% 16V
2248	4822 124 23052	100uF 20% 16V
2249	4822 126 14249	560pF 10% 50V
2250	4822 126 11785	47pF 5% 50V
2251	4822 124 22652	2,2uF 20% 50V
2252	4822 126 14226	82pF 5% 50V

ELECTRICAL PARTS LIST - AV BOARD

2254	4822 124 23052	100uF 20% 16V
2255	4822 126 14241	330pF 50V
2256	4822 126 13881	470pF 5% 50V
2257	4822 126 14249	560pF 10% 50V
2259	4822 126 14249	560pF 10% 50V
2260	2020 552 94427	100pF 5% 50V
2261	4822 126 11785	47pF 5% 50V
2263	4822 124 23052	100uF 20% 16V
2265	4822 124 23052	100uF 20% 16V
2267	4822 126 14249	560pF 10% 50V
2269	4822 124 23052	100uF 20% 16V
2271	4822 124 23052	100uF 20% 16V
2272	4822 126 11785	47pF 5% 50V
2273	4822 126 14226	82pF 5% 50V
2286	4822 124 40248	10uF 20% 63V
2287	4822 124 40248	10uF 20% 63V
2288	4822 124 40248	10uF 20% 63V
2289	4822 124 40248	10uF 20% 63V
2290	4822 126 14472	1uF 10% 10V
2300	3198 017 41050	1uF 10V
2301	2020 552 94427	100pF 5% 50V
2302	2020 552 94427	100pF 5% 50V
2303	3198 017 41050	1uF 10V
2304	3198 017 41050	1uF 10V
2305	3198 017 41050	1uF 10V
2306	2238 586 59812	100nF +80/-20% 50V
2307	4822 124 40433	47uF 20% 25V
2308	3198 017 41050	1uF 10V
2309	2020 552 94427	100pF 5% 50V
2310	2020 552 94427	100pF 5% 50V
2311	3198 017 41050	1uF 10V
2312	2238 916 15641	22nF 10% 25V
2313	4822 124 40433	47uF 20% 25V
2314	3198 017 41050	1uF 10V
2315	3198 017 41050	1uF 10V
2316	3198 017 41050	1uF 10V
2317	4822 124 40433	47uF 20% 25V
2318	2238 916 15641	22nF 10% 25V
2319	2020 552 94427	100pF 5% 50V
2320	2020 552 94427	100pF 5% 50V
2321	4822 051 30008	0R Jumper 0603
2322	3198 017 41050	1uF 10V
2323	3198 017 41050	1uF 10V
2324	2222 586 18812	100nF 10% 50V
2400	4822 126 14043	1uF +80/-20% 16V /01/05
2401	3198 016 31020	1nF 25V /01/05
2402	3198 017 41050	1uF 10V /01/05
2403	4822 126 13193	4,7nF 10% 63V /01/05
2404	4822 126 13883	220pF 5% 50V /01/05
2405	3198 016 31020	1nF 25V /01/05
2406	4822 126 13883	220pF 5% 50V /01/05
2407	3198 016 31020	1nF 25V /01/05
2408	4822 126 13193	4,7nF 10% 63V /01/05

2409	4822 124 40769	4,7uF 20% 100V /01/05
2410	3198 017 41050	1uF 10V /01/05
2411	3198 016 31020	1nF 25V /01/05
2412	4822 126 14043	1uF +80/-20% 16V /01/05
2413	4822 126 13883	220pF 5% 50V /01/05
2414	4822 126 13883	220pF 5% 50V /01/05
2417	4822 126 13883	220pF 5% 50V /01/05
2418	3198 017 42230	22nF 50V /01/05
2419	4822 126 13883	220pF 5% 50V /01/05
2420	4822 124 21732	10uF 20% 25V /01/05
2422	4822 126 13883	220pF 5% 50V
2423	4822 124 21732	10uF 20% 25V
2424	2020 552 94427	100pF 5% 50V /69/75/93
2425	2020 552 94427	100pF 5% 50V /69/75/93
2426	2020 552 94427	100pF 5% 50V /69/75/93
2427	4822 124 80195	470uF 20% 10V /01/05
2428	4822 124 80195	470uF 20% 10V
2434	4822 124 21732	10uF 20% 25V
2437	4822 124 21732	10uF 20% 25V
2440	4822 126 13883	220pF 5% 50V
2441	4822 126 14221	68pF 5% 50V
2442	4822 126 13883	220pF 5% 50V
2443	4822 126 14221	68pF 5% 50V
2445	5322 126 11583	10nF 10% 50V
2446	4822 126 14508	180pF 5% 50V
2500	4822 124 41643	100uF 20% 16V
2501	4822 124 23002	10uF 16V
2502	2238 586 59812	100nF +80/-20% 50V
2503	4822 124 41643	100uF 20% 16V
2504	4822 124 23002	10uF 16V
2505	2238 586 59812	100nF +80/-20% 50V
2506	2238 586 59812	100nF +80/-20% 50V
2507	3198 029 22210	220uF 20% 16V
2508	4822 126 14585	100nF 10% 50V
2509	2238 586 59812	100nF +80/-20% 50V
2510	4822 124 23052	100uF 20% 16V

RESISTORS

3100	4822 117 11817	1k2 1% 1/16W
3101	4822 117 11817	1k2 1% 1/16W
3102	4822 117 12925	47k 1% 0,063W
3103	4822 117 12925	47k 1% 0,063W
3104	4822 052 10478	4R7 5% 0,33W
3105	4822 051 30152	1k5 5% 0,062W
3106	4822 051 30562	5k6 5% 0,063W
3107	4822 051 30682	6k8 5% 0,062W
3108	4822 117 11817	1k2 1% 1/16W
3109	4822 051 30472	4k7 5% 0,062W
3110	4822 051 30563	5k6 5% 0,062W
3111	4822 051 30472	4k7 5% 0,062W
3112	4822 051 30563	5k6 5% 0,062W
3114	4822 117 13632	100k 1% 0,62W
3116	4822 051 30561	560R 5% 0,062W /01/05

ELECTRICAL PARTS LIST - AV BOARD

RESISTORS

3117	4822 051 30561	560R 5% 0,062W	/69/75/93	3207	4822 051 30339	33R 5% 0,062W	
3118	4822 051 30681	680R 5% 0,062W		3208	4822 051 30339	33R 5% 0,062W	
3119	4822 051 30563	56k 5% 0,062W		3209	4822 051 30123	12k 5% 0,062W	
3120	4822 117 11817	1k2 1% 1/16W		3210	4822 117 12903	1k8 1% 0,063W	
3121	4822 117 13632	100k 1% 0,62W		3211	4822 051 30339	33R 5% 0,062W	
3122	4822 051 30561	560R 5% 0,062W	/69/75/93	3212	4822 051 30562	5k6 5% 0,063W	
3123	4822 051 30681	680R 5% 0,062W		3213	4822 051 30123	12k 5% 0,062W	
3124	4822 051 30563	56k 5% 0,062W		3214	4822 051 30339	33R 5% 0,062W	
3125	4822 051 30562	5k6 5% 0,063W		3215	4822 051 30339	33R 5% 0,062W	
3128	4822 051 30682	6k8 5% 0,062W		3216	4822 051 30123	12k 5% 0,062W	
3129	4822 051 30561	560R 5% 0,062W	/01/05	3217	4822 117 12903	1k8 1% 0,063W	
3130	4822 051 30472	4k7 5% 0,062W		3218	4822 051 30562	5k6 5% 0,063W	
3131	4822 051 30562	5k6 5% 0,063W		3219	4822 051 30123	12k 5% 0,062W	
3132	4822 051 30273	27k 5% 0,062W		3220	4822 051 30339	33R 5% 0,062W	
3133	4822 051 30153	15k 5% 0,062W		3221	4822 051 30103	10k 5% 0,062W	
3134	4822 051 30103	10k 5% 0,062W		3222	4822 051 30339	33R 5% 0,062W	
3135	4822 051 30152	1k5 5% 0,062W		3223	4822 051 30123	12k 5% 0,062W	
3136	4822 051 30472	4k7 5% 0,062W		3224	4822 117 12903	1k8 1% 0,063W	
3137	4822 051 30562	5k6 5% 0,063W		3225	4822 051 30103	10k 5% 0,062W	
3138	4822 051 30123	12k 5% 0,062W		3226	4822 051 30222	2k2 5% 0,062W	
3139	4822 051 30123	12k 5% 0,062W		3227	4822 051 30222	2k2 5% 0,062W	
3140	4822 051 30273	27k 5% 0,062W		3228	4822 051 30562	5k6 5% 0,063W	
3141	4822 051 30153	15k 5% 0,062W		3229	4822 051 30123	12k 5% 0,062W	
3142	4822 051 30103	10k 5% 0,062W		3230	4822 051 30103	10k 5% 0,062W	
3143	4822 051 30152	1k5 5% 0,062W		3231	4822 051 30123	12k 5% 0,062W	
3144	4822 051 30123	12k 5% 0,062W		3232	4822 117 12903	1k8 1% 0,063W	
3145	4822 051 30123	12k 5% 0,062W		3233	4822 051 30103	10k 5% 0,062W	
3146	4822 051 30103	10k 5% 0,062W		3234	4822 051 30562	5k6 5% 0,063W	
3147	4822 051 30153	15k 5% 0,062W		3236	4822 051 30123	12k 5% 0,062W	
3148	4822 051 30103	10k 5% 0,062W		3237	4822 117 13632	100k 1% 0,62W	
3149	4822 051 30152	1k5 5% 0,062W		3238	4822 051 30123	12k 5% 0,062W	
3150	4822 117 12925	47k 1% 0,063W		3239	4822 117 12903	1k8 1% 0,063W	
3151	4822 051 30471	470R 5% 0,062W		3240	4822 117 13632	100k 1% 0,62W	
3152	4822 051 30471	470R 5% 0,062W		3241	4822 051 30562	5k6 5% 0,063W	
3153	4822 051 30123	12k 5% 0,062W		3243	4822 051 30123	12k 5% 0,062W	
3154	4822 051 30123	12k 5% 0,062W		3244	4822 117 13632	100k 1% 0,62W	
3155	4822 117 12925	47k 1% 0,063W		3245	4822 117 13632	100k 1% 0,62W	
3156	4822 051 30471	470R 5% 0,062W		3246	4822 051 30123	12k 5% 0,062W	
3157	4822 051 30471	470R 5% 0,062W		3247	4822 117 12903	1k8 1% 0,063W	
3158	4822 051 30103	10k 5% 0,062W		3248	4822 051 30562	5k6 5% 0,063W	
3159	4822 051 30153	15k 5% 0,062W		3250	4822 051 30123	12k 5% 0,062W	
3160	4822 051 30103	10k 5% 0,062W		3251	4822 117 13632	100k 1% 0,62W	
3161	4822 051 30152	1k5 5% 0,062W		3252	4822 051 30123	12k 5% 0,062W	
3162	4822 051 30123	12k 5% 0,062W		3253	4822 117 12903	1k8 1% 0,063W	
3163	4822 051 30123	12k 5% 0,062W		3254	4822 051 30562	5k6 5% 0,063W	
3164	4822 051 30471	470R 5% 0,062W		3256	4822 051 30123	12k 5% 0,062W	
3200	4822 051 30339	33R 5% 0,062W		3257	4822 051 30123	12k 5% 0,062W	
3201	4822 051 30339	33R 5% 0,062W		3258	4822 117 12903	1k8 1% 0,063W	
3202	4822 051 30339	33R 5% 0,062W		3259	4822 117 13632	100k 1% 0,62W	
3203	4822 051 30339	33R 5% 0,062W		3260	4822 117 13632	100k 1% 0,62W	
3204	4822 051 30562	5k6 5% 0,063W		3261	4822 117 13632	100k 1% 0,62W	
3205	4822 051 30123	12k 5% 0,062W		3262	4822 052 10229	22R 5% 0,33W	Δ
3206	4822 051 30339	33R 5% 0,062W		3263	4822 051 30332	3k3 5% 0,062W	

ELECTRICAL PARTS LIST - AV BOARD

3264	4822 051 30392	3k9 5% 0,063W		3330	4822 117 12903	1k8 1% 0,063W	
3265	4822 051 30153	15k 5% 0,062W		3331	4822 051 30102	1k 5% 0,062W	
3266	4822 117 11817	1k2 1% 1/16W		3332	4822 051 30102	1k 5% 0,062W	
3267	4822 051 30183	18k 5% 0,062W		3334	4822 051 30681	680R 5% 0,062W	
3268	4822 051 30183	18k 5% 0,062W		3335	4822 051 30681	680R 5% 0,062W	
3269	4822 051 30103	10k 5% 0,062W		3336	4822 051 30102	1k 5% 0,062W	
3270	4822 051 30332	3k3 5% 0,062W		3337	4822 117 12925	47k 1% 0,063W	
3271	4822 051 30392	3k9 5% 0,063W		3338	4822 051 30273	27k 5% 0,062W	
3272	4822 051 30153	15k 5% 0,062W		3339	4822 051 30102	1k 5% 0,062W	
3273	4822 051 30183	18k 5% 0,062W		3340	4822 051 30102	1k 5% 0,062W	
3274	4822 051 30183	18k 5% 0,062W		3341	4822 051 30472	4k7 5% 0,062W	
3275	4822 051 30102	1k 5% 0,062W		3342	4822 051 30102	1k 5% 0,062W	
3276	4822 051 30102	1k 5% 0,062W		3343	4822 051 30472	4k7 5% 0,062W	
3277	4822 051 30562	5k6 5% 0,063W		3344	4822 051 30102	1k 5% 0,062W	
3279	4822 051 30123	12k 5% 0,062W		3346	4822 051 30681	680R 5% 0,062W	
3282	4822 051 30123	12k 5% 0,062W		3347	4822 051 30681	680R 5% 0,062W	
3283	4822 117 12903	1k8 1% 0,063W		3348	4822 051 30101	100R 5% 0,062W	
3284	4822 051 30562	5k6 5% 0,063W		3349	4822 051 30101	100R 5% 0,062W	
3286	4822 051 30123	12k 5% 0,062W		3350	4822 051 30102	1k 5% 0,062W	
3287	4822 117 12891	220k 1%		3351	4822 051 30102	1k 5% 0,062W	
3288	4822 051 30123	12k 5% 0,062W		3352	4822 117 12903	1k8 1% 0,063W	
3289	4822 117 12903	1k8 1% 0,063W		3353	4822 117 12903	1k8 1% 0,063W	
3290	4822 051 30222	2k2 5% 0,062W		3354	4822 051 30102	1k 5% 0,062W	
3300	4822 051 30681	680R 5% 0,062W		3355	4822 051 30102	1k 5% 0,062W	
3301	4822 051 30681	680R 5% 0,062W		3356	4822 051 30681	680R 5% 0,062W	
3302	4822 051 30101	100R 5% 0,062W		3357	4822 051 30681	680R 5% 0,062W	
3303	4822 051 30101	100R 5% 0,062W		3358	4822 051 30273	27k 5% 0,062W	
3304	4822 051 30102	1k 5% 0,062W		3359	4822 051 30102	1k 5% 0,062W	
3305	4822 051 30102	1k 5% 0,062W		3360	4822 051 30102	1k 5% 0,062W	
3306	4822 117 12903	1k8 1% 0,063W		3361	4822 051 30102	1k 5% 0,062W	
3307	4822 117 12903	1k8 1% 0,063W		3362	4822 051 30472	4k7 5% 0,062W	
3308	4822 051 30102	1k 5% 0,062W		3363	4822 051 30472	4k7 5% 0,062W	
3309	4822 051 30102	1k 5% 0,062W		3400	4822 051 30103	10k 5% 0,062W	/01/05
3310	4822 051 30681	680R 5% 0,062W		3401	4822 117 12925	47k 1% 0,063W	/01/05
3311	4822 051 30681	680R 5% 0,062W		3403	4822 051 30222	2k2 5% 0,062W	/01/05
3312	4822 051 30339	33R 5% 0,062W		3404	4822 051 30471	470R 5% 0,062W	/01/05
3313	4822 051 30339	33R 5% 0,062W		3405	4822 117 12925	47k 1% 0,063W	/01/05
3314	4822 051 30102	1k 5% 0,062W		3406	4822 051 30223	22k 5% 0,062W	/01/05
3315	4822 117 12925	47k 1% 0,063W		3407	4822 117 12925	47k 1% 0,063W	/01/05
3316	4822 051 30273	27k 5% 0,062W		3408	4822 051 30471	470R 5% 0,062W	/01/05
3317	4822 051 30102	1k 5% 0,062W		3409	4822 117 12925	47k 1% 0,063W	/01/05
3318	4822 051 30102	1k 5% 0,062W		3410	4822 051 30223	22k 5% 0,062W	/01/05
3319	4822 051 30472	4k7 5% 0,062W		3412	4822 051 30222	2k2 5% 0,062W	/01/05
3320	4822 051 30102	1k 5% 0,062W		3413	4822 117 12925	47k 1% 0,063W	/01/05
3321	4822 051 30472	4k7 5% 0,062W		3415	4822 051 30103	10k 5% 0,062W	/01/05
3322	4822 051 30102	1k 5% 0,062W		3416	4822 051 30471	470R 5% 0,062W	/01/05
3323	4822 051 30681	680R 5% 0,062W		3417	4822 051 30103	10k 5% 0,062W	/01/05
3324	4822 051 30681	680R 5% 0,062W		3418	4822 051 30103	10k 5% 0,062W	/01/05
3325	4822 051 30101	100R 5% 0,062W		3421	4822 051 30103	10k 5% 0,062W	/01/05
3326	4822 051 30101	100R 5% 0,062W		3422	4822 051 30471	470R 5% 0,062W	/01/05
3327	4822 051 30102	1k 5% 0,062W		3423	4822 051 30103	10k 5% 0,062W	/01/05
3328	4822 051 30102	1k 5% 0,062W		3424	4822 051 30103	10k 5% 0,062W	/01/05
3329	4822 117 12903	1k8 1% 0,063W		3425	5322 117 13055	75R 1% 0,063W	

AMPLIFIER BOARD

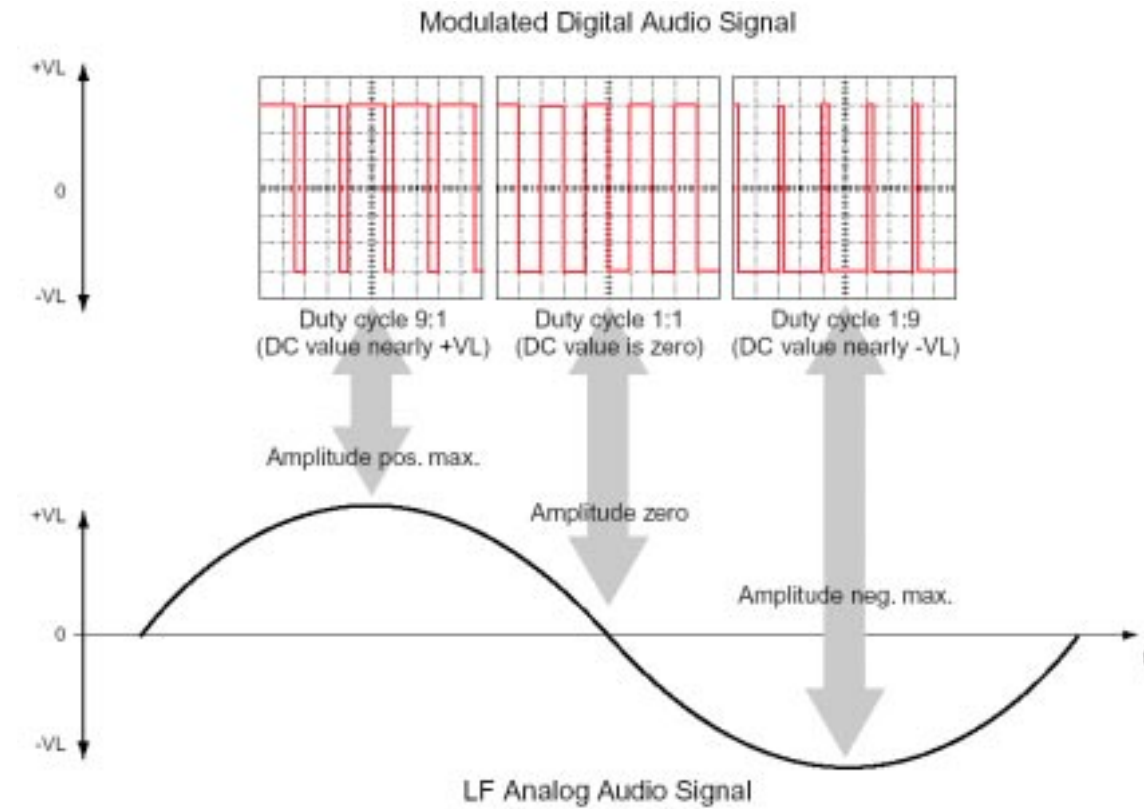
TABLE OF CONTENTS

Class-D Amplifier circuit description	8-1
Exploded view + mechanical parts	8-2
Amplifier circuit	8-3
Clock Generator & connector - circuit	8-4
Bottom view	8-5
Top view	8-6
Bottom view Part A	8-7
Bottom view Part B	8-8
Top view Part C	8-9
Top view Part D	8-10
Electrical parts list - Amplifier board	8-11

6-channel class-D amplifier

Basic operation of a class-D amplifier

Basically, the output stage of a class-D amplifier outputs a continuous square wave swinging between positive and negative power supplies with a fixed frequency ("clock" frequency) far beyond the audible range. The duty cycle of this square wave is modulated with the audio signal. The output is followed by a low-pass filter which eliminates the clock frequency and allows only the audio signal going to the speaker. See simplified drawing below.



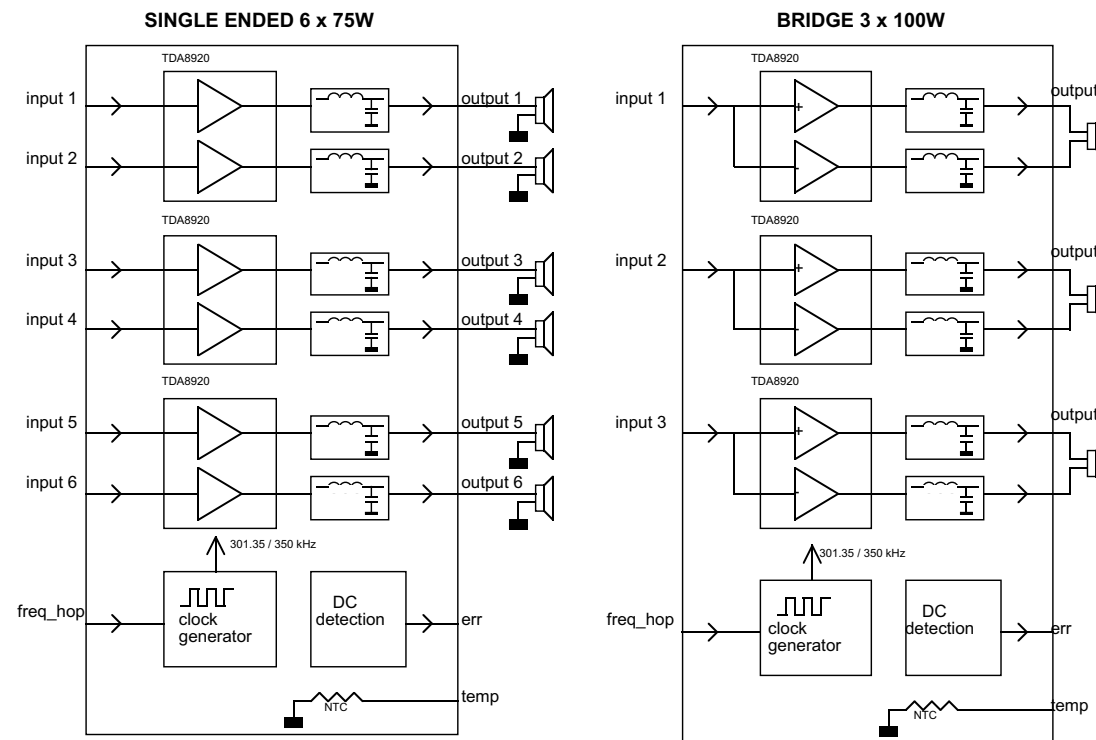
Compared to a conventional power amplifier the benefits of the Class-D amplifier are:

- higher efficiency
- lower power dissipation
- smaller heatsink required
- smaller mains transformer required

The main disadvantage of this concept is:

- The amplifier is operating with a high-frequency square wave at high amplitude and currents. This requires special precautions to prevent excessive electromagnetic radiation (EMC).

Block diagram and operation



• clock oscillator

The clock frequency is generated around IC7600. Using 2 extra transistors (7602 and 7608) and 2 ceramic resonators it can be operated at 2 frequencies: 602.7kHz and 700kHz. The frequency is selected by the signal "FREQ_HOP" coming from connector 1301 pin 9.

When FREQ_HOP is low, the output of 7600-1 will be high. This switches transistor 7602 on, and connects resonator 1600 (602.7kHz) to inverter 7600-3. Similarly, when FREQ_HOP is high, resonator 1601 is connected to 7600-3.

The output frequency is divided by two by IC7607, resulting in 301.35kHz or 350kHz.

The purpose of a selectable clock frequency is related to the disturbance of the tuner which is built-in together with this amplifier. In MW, the software of the set microprocessor will select the other clock frequency in case the amplifier clock interferes with the tuned station.

• Class-D amplifier TDA8920 and low-pass filter

The TDA8920 is a two channel audio power amplifier using class-D technology. The audio input signal is converted into a digital Pulse Width Modulated (PWM) signal via an analog input stage and PWM modulator. It is then fed to the power stage which outputs a high power PWM signal which switches between the main supply lines.

The TDA8920 is followed by a 2nd-order low-pass filter. It has a cut-off frequency around 50kHz and converts the PWM signal into analog audio signal across the loudspeaker.

The TDA8920 has a temperature protection and a current limiter built-in.

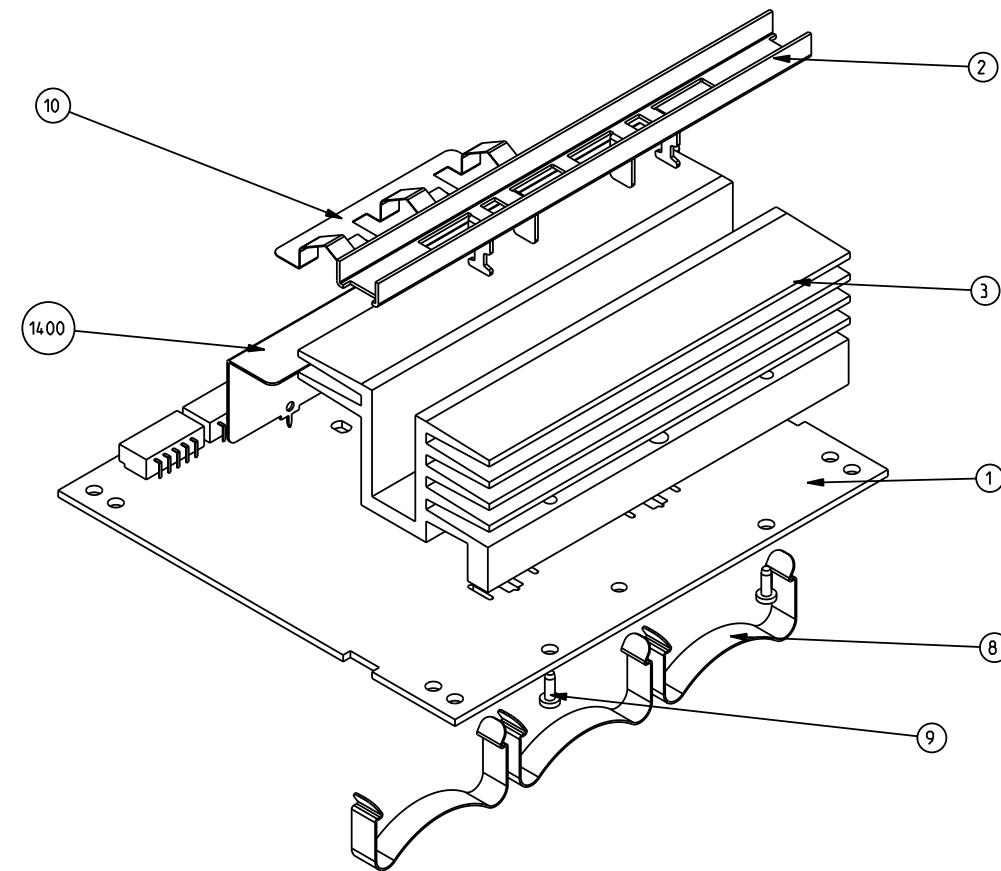
Furthermore, the IC can be put in active, mute and standby mode.

- Active mode (amplifier fully operational) with output signal.
- Mute mode; the amplifiers are operational, but the audio is muted
- Standby mode; with a very low supply current, the output stage is switched off.

• DC-detection

The DC-detection circuit monitors all 6 outputs for DC. Whenever one or more outputs contain DC for more than 1 second, the circuit will be activated. A positive voltage will activate transistor 7710 and pin 10 of connector 1301 will be pulled down. In case of a negative voltage, transistor 7716 will be activated, which in turn activates 7710. The set microprocessor will take further action.

MECHANICAL EXPLODED VIEW



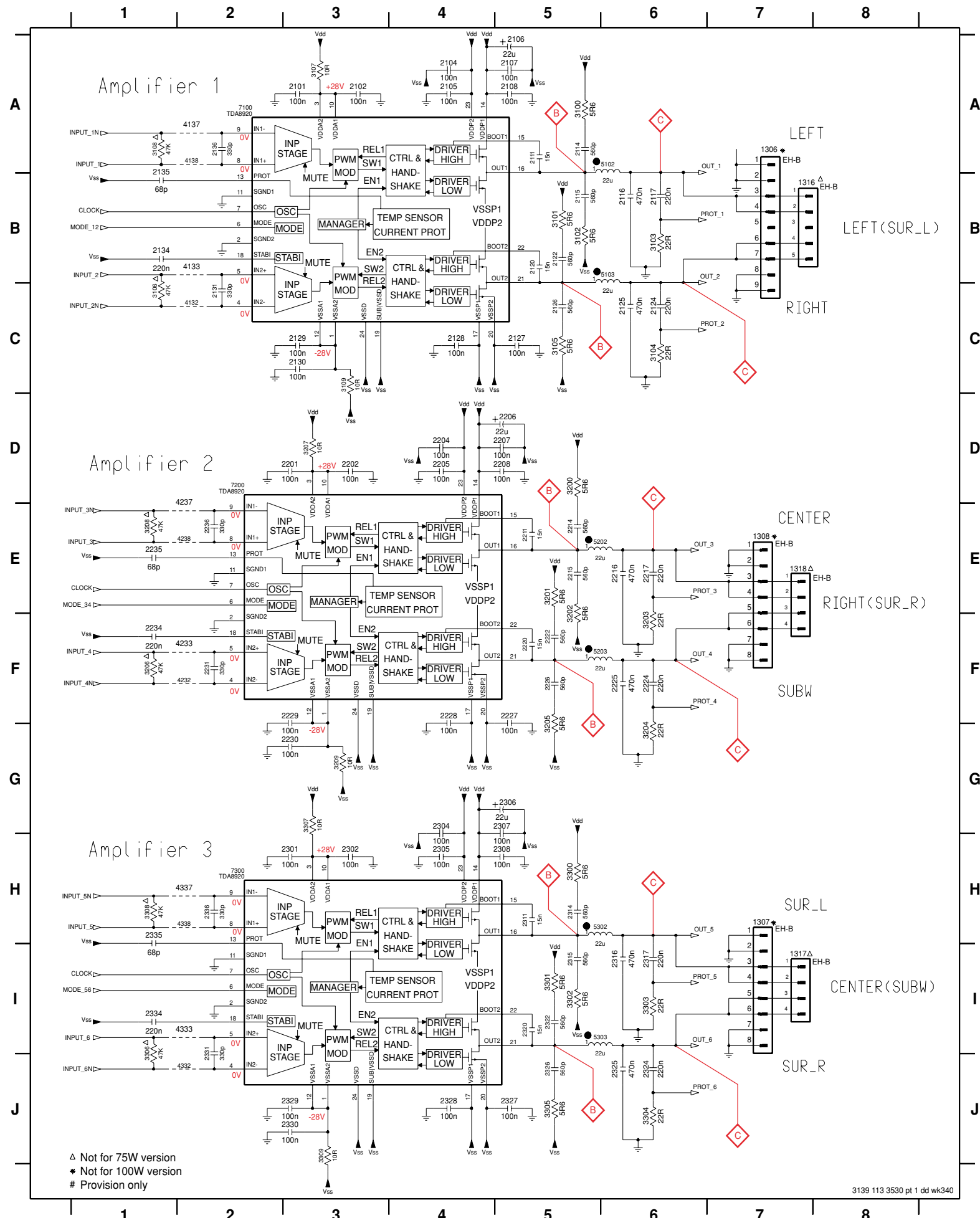
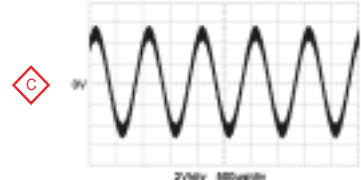
3104 217 07180 bl110

MECHANICAL PARTS LIST & SCREWS

Part No.	Part Description	Part Name
8	3104 211 29861	SPRING 6 CHANNEL
9	-	D2.3 x 8
10	3104 211 29881	EARTH SPRING

Note: Only the parts mentioned in this list are normal service spare parts.

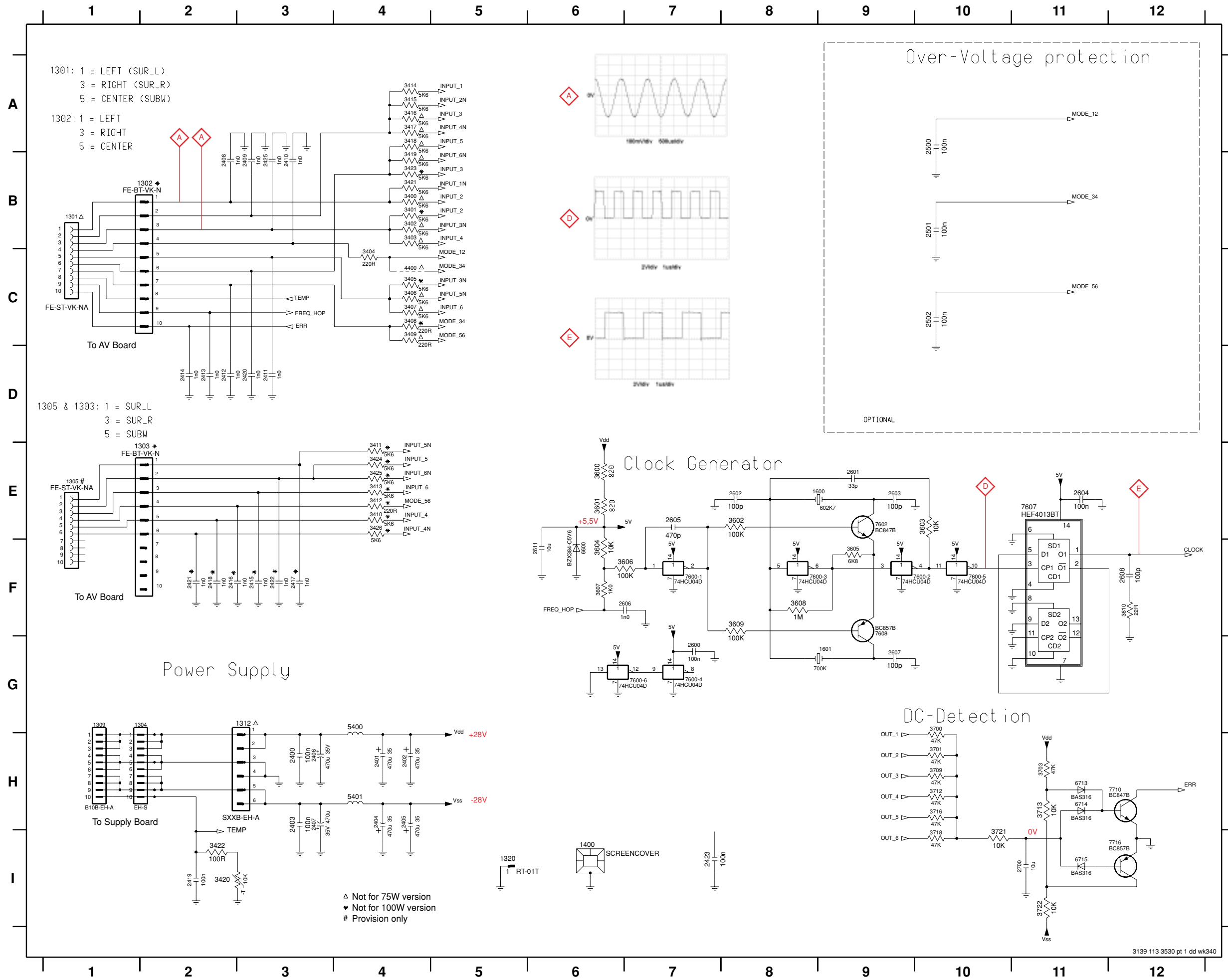
AMPLIFIER CIRCUIT



1306 A7	5203 F5
1307 H7	5302 H5
1308 E7	5303 I5
1316 B7	7100 A2
1317 I7	7200 D2
1318 E7	7300 H2
2101 A3	
2102 A3	
2104 A4	
2105 A4	
2106 A5	
2107 A5	
2108 A5	
2111 A5	
2114 A5	
2115 B5	
2116 B6	
2117 B6	
2120 B5	
2122 B5	
2124 C6	
2125 C6	
2126 C5	
2127 C5	
2128 C4	
2129 C3	
2130 C3	
2131 C2	
2134 B1	
2135 B1	
2136 A2	
2201 D3	
2202 D3	
2204 D4	
2205 D4	
2206 D5	
2207 D5	
2208 D5	
2211 E5	
2214 E5	
2215 E5	
2216 E6	
2217 E6	
2220 F5	
2222 F5	
2224 F6	
2225 F6	
2226 F5	
2227 F5	
2228 F4	
2229 F3	
2230 G3	
2231 F2	
2234 F1	
2235 E1	
2236 E2	
2301 H3	
2302 H3	
2304 G4	
2305 H4	
2306 G5	
2307 G5	
2308 H5	
2311 H5	
2314 H5	
2315 I5	
2316 I6	
2317 I6	
2320 I5	
2322 I5	
2324 J6	
2325 J6	
2326 J5	
2327 J5	
2328 J4	
2329 J3	
2330 J3	
2331 I2	
2334 I1	
2335 H1	
2336 H2	
3100 A5	
3101 B5	
3102 B5	
3103 C6	
3105 C5	
3106 C1	
3107 A3	
3108 A1	
3109 C3	
3200 D5	
3201 E5	
3202 F5	
3203 F6	
3204 G6	
3205 G5	
3206 F1	
3207 D3	
3209 G3	
3300 H5	
3301 I5	
3302 I5	
3303 I6	
3304 J6	
3305 J5	
3306 I1	
3307 G3	
3308 H1	
3309 J3	
4132 C2	
4133 B2	
4137 A2	
4138 A2	
4232 F2	
4233 F2	
4236 E2	
4332 J2	
4333 I2	
4337 H2	
4338 H2	
5102 A6	
5103 B6	
5202 E5	

Δ Not for 75W version
 * Not for 100W version
 # Provision only

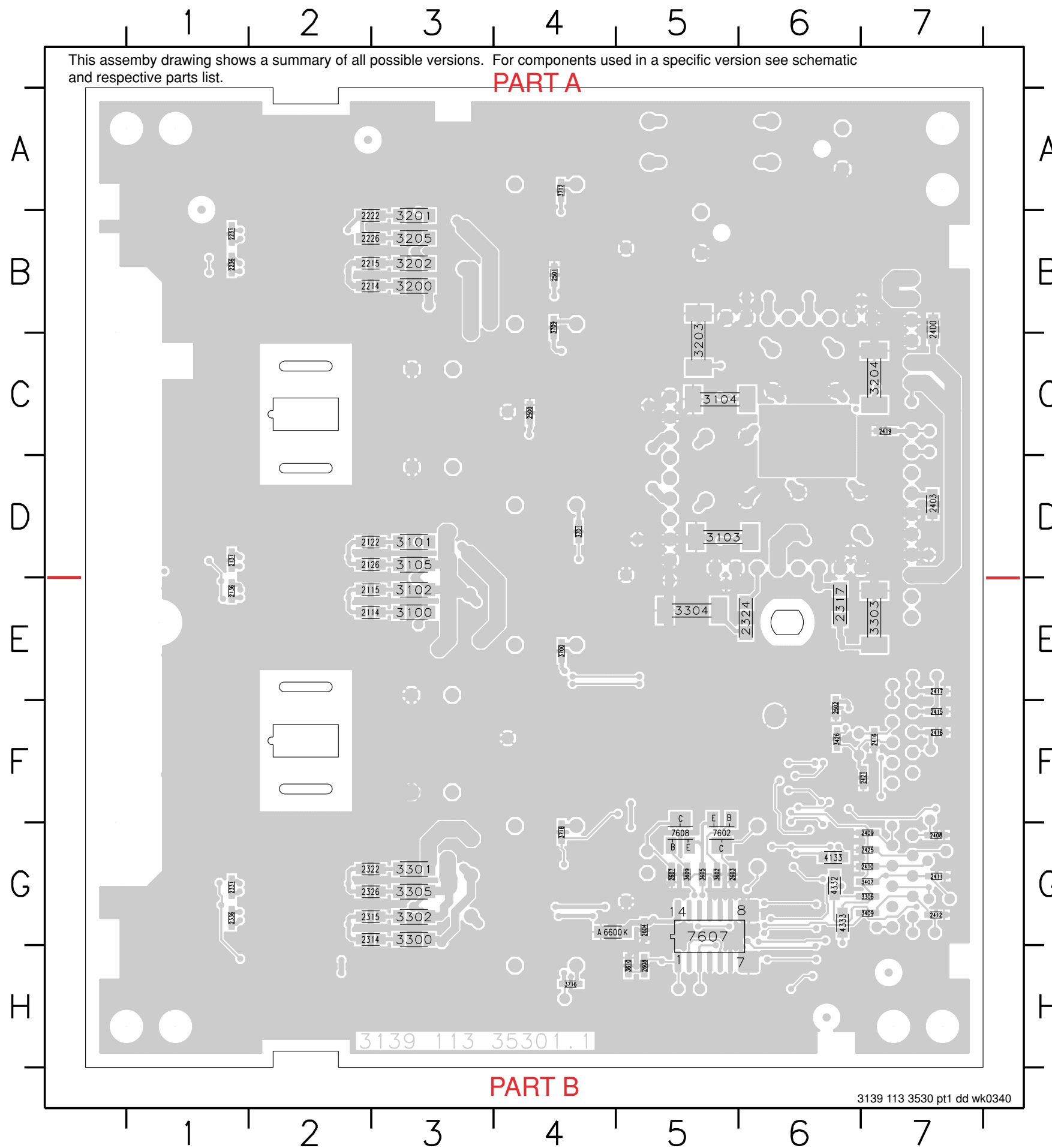
CLOCK GENERATOR & CONNECTOR CIRCUIT



- 1301 B1
- 1302 B2
- 1303 E2
- 1304 G2
- 1305 E1
- 1309 G1
- 1312 G3
- 1320 I5
- 1400 I6
- 1600 E9
- 1601 G9
- 2400 H3
- 2401 H4
- 2402 H4
- 2403 H3
- 2404 H4
- 2405 H4
- 2406 H3
- 2407 H3
- 2408 B2
- 2409 B3
- 2410 B3
- 2411 D3
- 2412 D2
- 2413 D2
- 2414 D2
- 2415 F3
- 2416 F2
- 2417 F3
- 2418 F2
- 2419 I2
- 2420 D3
- 2421 F2
- 2422 F3
- 2423 I7
- 2425 B3
- 2500 A10
- 2501 B10
- 2502 C10
- 2600 G7
- 2601 E9
- 2602 E8
- 2603 E9
- 2604 E11
- 2605 E7
- 2606 F7
- 2607 G9
- 2608 F12
- 2611 F6
- 2700 I11
- 3400 B4
- 3401 B4
- 3402 B4
- 3403 B4
- 3404 C4
- 3405 C4
- 3406 C4
- 3407 C4
- 3408 C4
- 3409 C4
- 3410 E4
- 3411 E4
- 3412 E4
- 3413 E4
- 3414 A4
- 3415 A4
- 3416 A4
- 3417 A4
- 3418 A4
- 3419 B4
- 3420 I2
- 3421 B4
- 3422 I2
- 3423 B4
- 3424 E4
- 3425 E4
- 3426 E4
- 3600 E6
- 3601 E6
- 3602 E9
- 3603 E9
- 3604 F6
- 3605 F9
- 3606 F7
- 3607 F6
- 3608 F8
- 3609 F8
- 3610 F12
- 3700 G10
- 3701 H10
- 3703 H11
- 3709 H10
- 3712 H10
- 3713 H11
- 3716 H10
- 3718 I10
- 3721 I10
- 3722 I11
- 4400 C4
- 5400 G4
- 5401 H4
- 6600 F6
- 6713 H11
- 6714 H11
- 6715 I11
- 7600-1 F7
- 7600-2 F10
- 7600-3 F9
- 7600-4 G7
- 7600-5 F10
- 7600-6 G7
- 7602 E9
- 7607 E11
- 7608 F9
- 7710 H12

7716 I12

BOTTOM VIEW LAYOUT

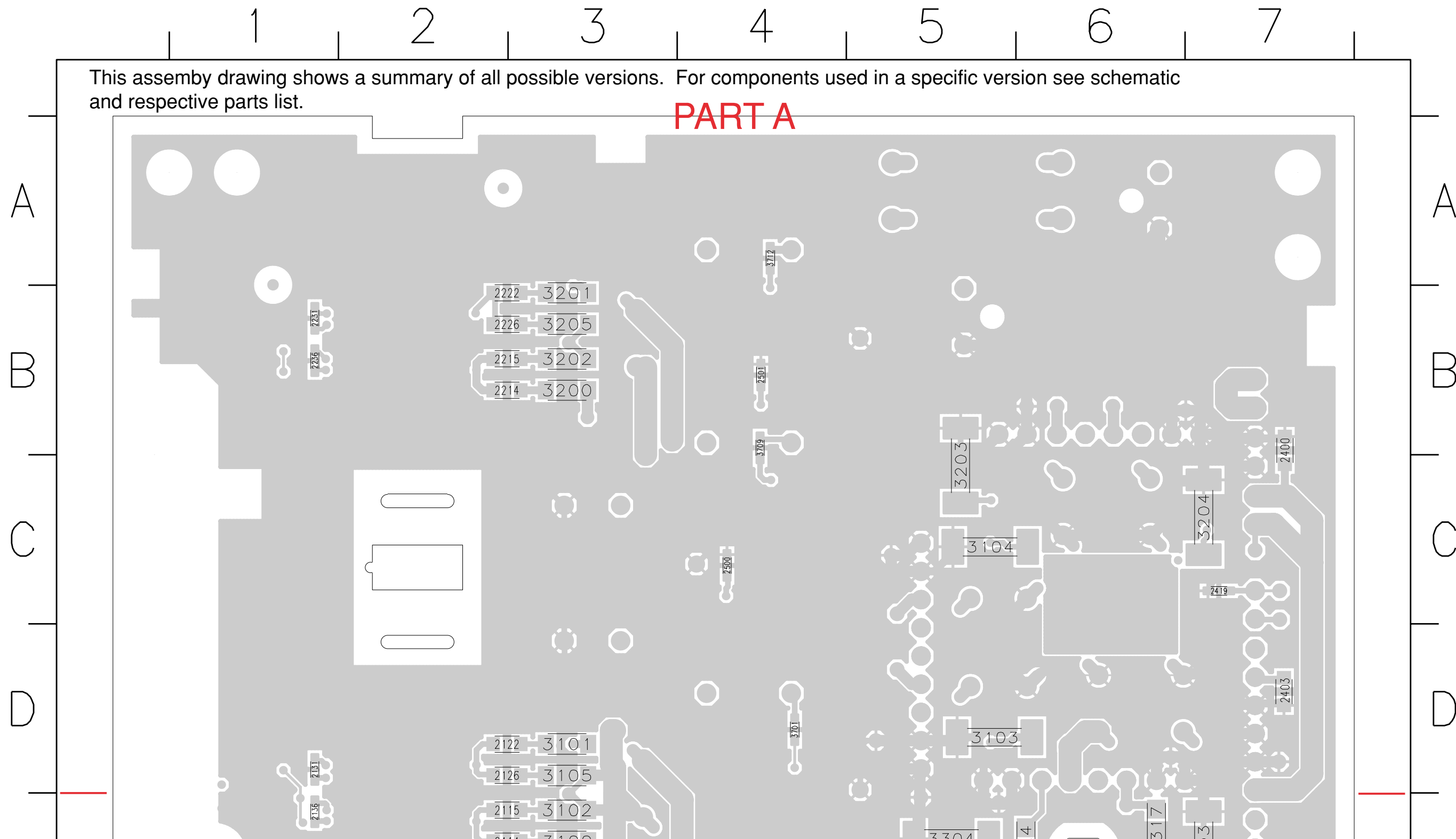


2222	3201	2226	3205	2215	3202	2214	3200	2322	3301	2326	3305	2315	3302	2314	3300	3139	113	35301.1	3104	3103	3304	2324	2317	3303	2300	2301	2302	2303	2304	2305	2306	2307	2308	2309	2310	2311	2312	2313	2314	2315	2316	2317	2318	2319	2320	2321	2322	2323	2324	2325	2326	2327	2328	2329	2330	2331	2332	2333	2334	2335	2336	2337	2338	2339	2340	2341	2342	2343	2344	2345	2346	2347	2348	2349	2350	2351	2352	2353	2354	2355	2356	2357	2358	2359	2360	2361	2362	2363	2364	2365	2366	2367	2368	2369	2370	2371	2372	2373	2374	2375	2376	2377	2378	2379	2380	2381	2382	2383	2384	2385	2386	2387	2388	2389	2390	2391	2392	2393	2394	2395	2396	2397	2398	2399	2400	2401	2402	2403	2404	2405	2406	2407	2408	2409	2410	2411	2412	2413	2414	2415	2416	2417	2418	2419	2420	2421	2422	2423	2424	2425	2426	2427	2428	2429	2430	2431	2432	2433	2434	2435	2436	2437	2438	2439	2440	2441	2442	2443	2444	2445	2446	2447	2448	2449	2450	2451	2452	2453	2454	2455	2456	2457	2458	2459	2460	2461	2462	2463	2464	2465	2466	2467	2468	2469	2470	2471	2472	2473	2474	2475	2476	2477	2478	2479	2480	2481	2482	2483	2484	2485	2486	2487	2488	2489	2490	2491	2492	2493	2494	2495	2496	2497	2498	2499	2500
------	------	------	------	------	------	------	------	------	------	------	------	------	------	------	------	------	-----	---------	------	------	------	------	------	------	------	------	------	------	------	------	------	------	------	------	------	------	------	------	------	------	------	------	------	------	------	------	------	------	------	------	------	------	------	------	------	------	------	------	------	------	------	------	------	------	------	------	------	------	------	------	------	------	------	------	------	------	------	------	------	------	------	------	------	------	------	------	------	------	------	------	------	------	------	------	------	------	------	------	------	------	------	------	------	------	------	------	------	------	------	------	------	------	------	------	------	------	------	------	------	------	------	------	------	------	------	------	------	------	------	------	------	------	------	------	------	------	------	------	------	------	------	------	------	------	------	------	------	------	------	------	------	------	------	------	------	------	------	------	------	------	------	------	------	------	------	------	------	------	------	------	------	------	------	------	------	------	------	------	------	------	------	------	------	------	------	------	------	------	------	------	------	------	------	------	------	------	------	------	------	------	------	------	------	------	------	------	------	------	------	------	------	------	------	------	------	------	------	------	------	------	------	------	------	------	------

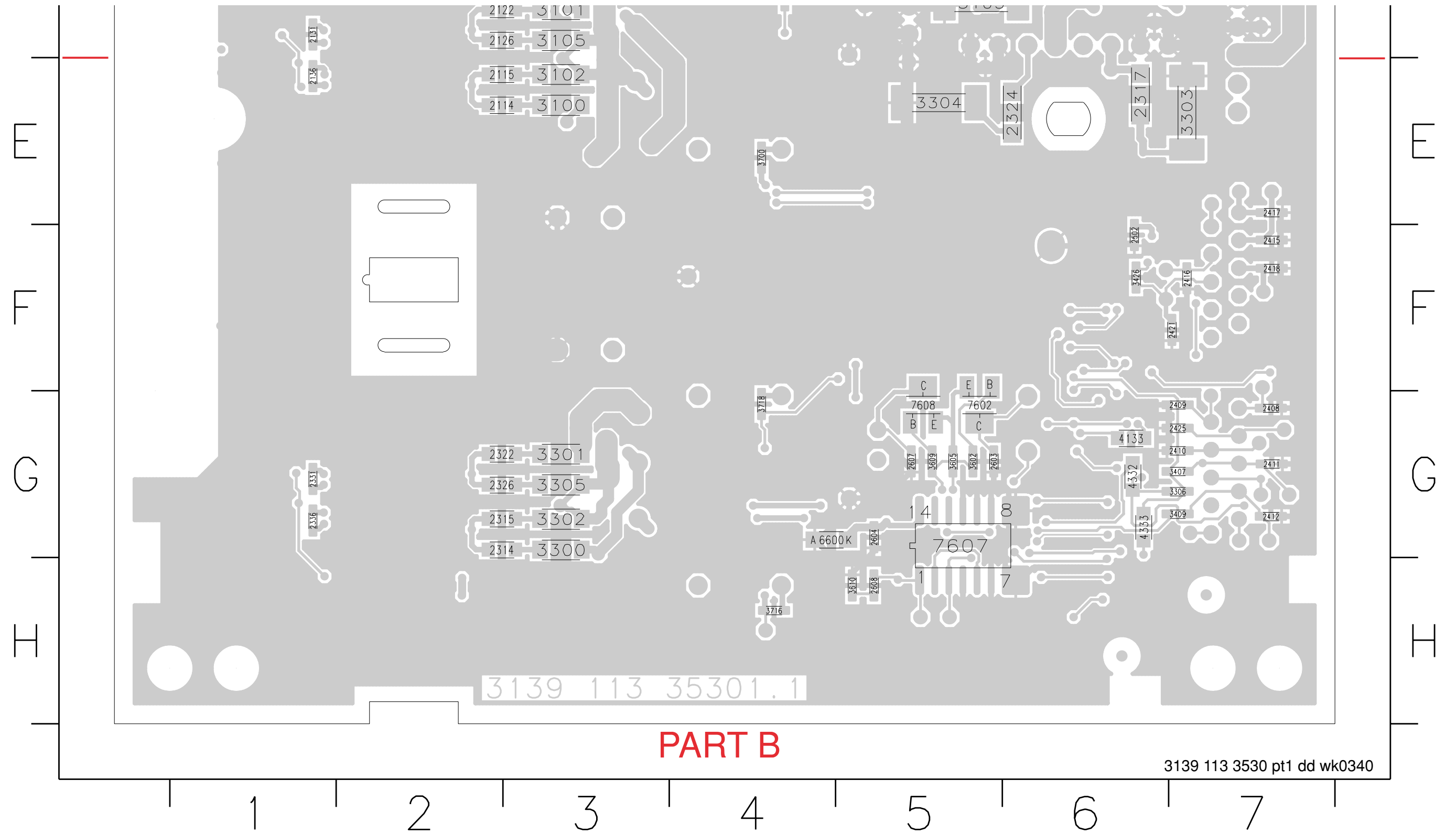
BOTTOM VIEW LAYOUT - PART A

This assembly drawing shows a summary of all possible versions. For components used in a specific version see schematic and respective parts list.

PART A

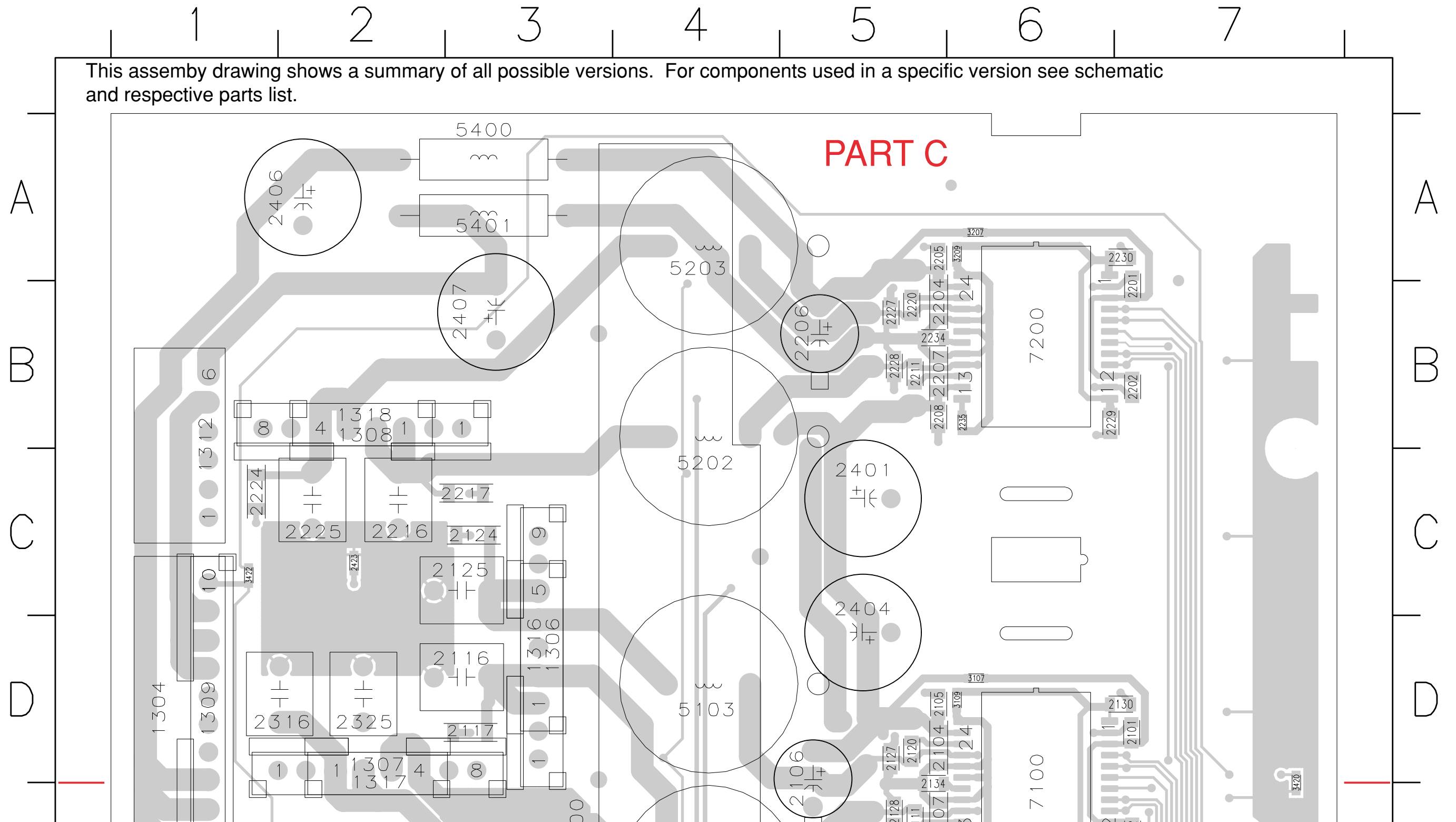


BOTTOM VIEW LAYOUT - PART B

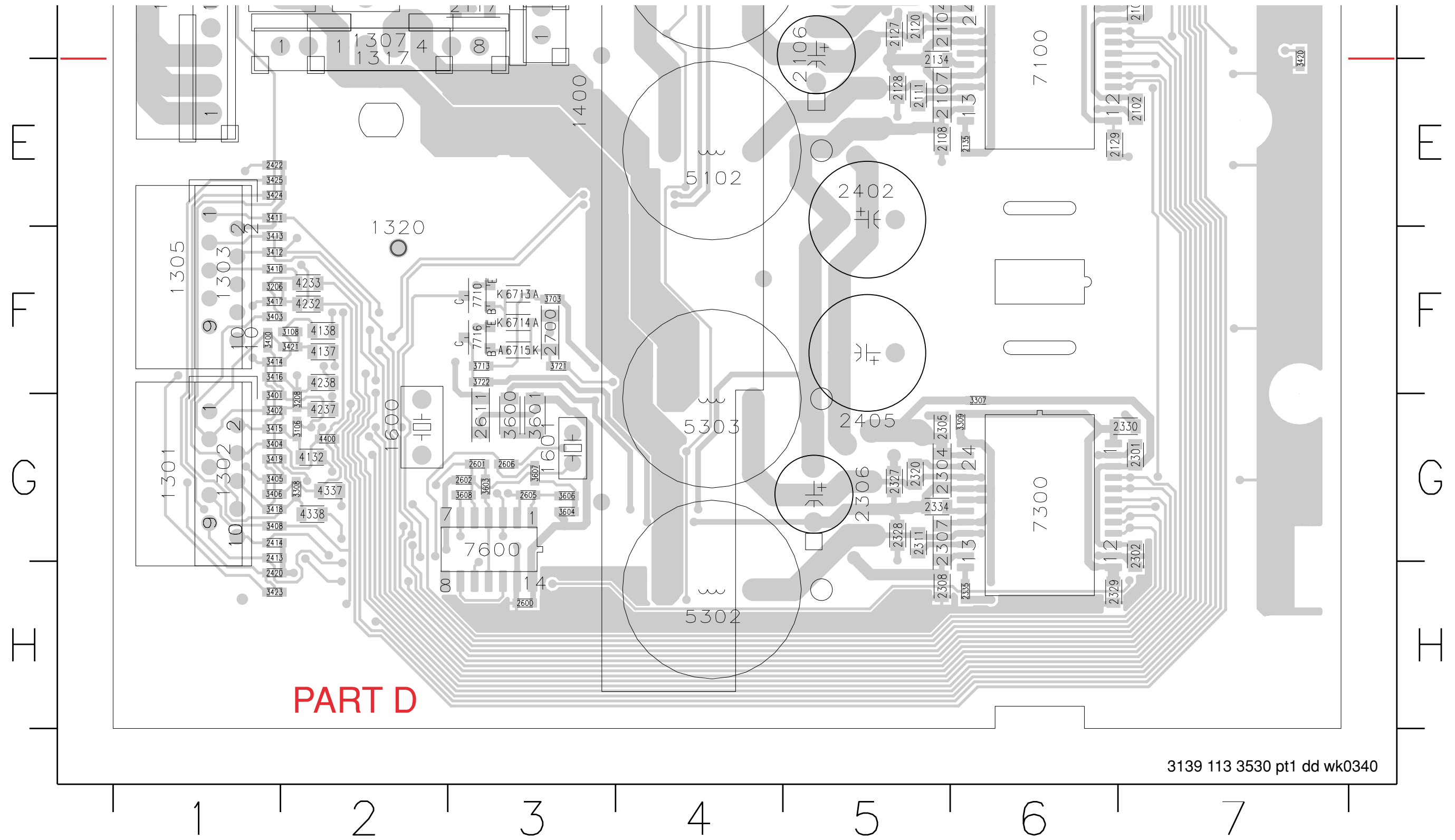


TOP VIEW LAYOUT - PART C

This assembly drawing shows a summary of all possible versions. For components used in a specific version see schematic and respective parts list.



TOP VIEW LAYOUT - PART D



ELECTRICAL PARTS LIST - AMPLIFIER BOARD

MISCELLANEOUS

0008	3104 211 29861	Spring 6 Channel
0010	3104 211 29881	Earth Spring
1302	4822 267 10729	Flex Connector 10P
1303	4822 267 10729	Flex Connector 10P
1600	2422 540 98514	RES CER 602kHz7 CSB600F1 B
1601	2422 540 98568	RES CER 700kHz CSBLA* B

CAPACITORS

2101	2222 580 15649	100nF 10% 50V
2102	2222 580 15649	100nF 10% 50V
2104	2222 601 55649	100nF 10% 100V
2105	2222 580 15649	100nF 10% 50V
2106	2020 021 91431	22uF 20% 100V
2107	2222 601 55649	100nF 10% 100V
2108	2222 580 15649	100nF 10% 50V
2111	4822 126 13188	15nF 5% 63V
2114	2238 600 15619	560pF 10% 100V
2115	2238 600 15619	560pF 10% 100V
2116	4822 121 51252	470nF 5% 63V
2117	2222 601 55649	100nF 10% 100V
2120	4822 126 13188	15nF 5% 63V
2122	2238 600 15619	560pF 10% 100V
2124	2222 601 55649	100nF 10% 100V
2125	4822 121 51252	470nF 5% 63V
2126	2238 600 15619	560pF 10% 100V
2127	2222 580 15649	100nF 10% 50V
2128	2222 580 15649	100nF 10% 50V
2129	2222 580 15649	100nF 10% 50V
2130	2222 580 15649	100nF 10% 50V
2131	4822 126 14241	330pF 50V
2134	2238 780 55654	220nF 10% 16V
2135	4822 126 14221	68pF 5% 50V
2136	4822 126 14241	330pF 50V
2201	2222 580 15649	100nF 10% 50V
2202	2222 580 15649	100nF 10% 50V
2204	2222 601 55649	100nF 10% 100V
2205	2222 580 15649	100nF 10% 50V
2206	2020 021 91431	22uF 20% 100V
2207	2222 601 55649	100nF 10% 100V
2208	2222 580 15649	100nF 10% 50V
2211	4822 126 13188	15nF 5% 63V
2214	2238 600 15619	560pF 10% 100V
2215	2238 600 15619	560pF 10% 100V
2216	4822 121 51252	470nF 5% 63V
2217	2222 601 55649	100nF 10% 100V
2220	4822 126 13188	15nF 5% 63V
2222	2238 600 15619	560pF 10% 100V
2224	2222 601 55649	100nF 10% 100V
2225	4822 121 51252	470nF 5% 63V
2226	2238 600 15619	560pF 10% 100V
2227	2222 580 15649	100nF 10% 50V
2228	2222 580 15649	100nF 10% 50V
2229	2222 580 15649	100nF 10% 50V
2230	2222 580 15649	100nF 10% 50V
2231	4822 126 14241	330pF 50V
2234	2238 780 55654	220nF 10% 16V
2235	4822 126 14221	68pF 5% 50V
2236	4822 126 14241	330pF 50V
2301	2222 580 15649	100nF 10% 50V
2302	2222 580 15649	100nF 10% 50V
2304	2222 601 55649	100nF 10% 100V
2305	2222 580 15649	100nF 10% 50V
2306	2020 021 91431	22uF 20% 100V
2307	2222 601 55649	100nF 10% 100V
2308	2222 580 15649	100nF 10% 50V
2311	4822 126 13188	15nF 5% 63V
2314	2238 600 15619	560pF 10% 100V
2315	2238 600 15619	560pF 10% 100V
2316	4822 121 51252	470nF 5% 63V
2317	2222 601 55649	100nF 10% 100V
2320	4822 126 13188	15nF 5% 63V
2322	2238 600 15619	560pF 10% 100V
2324	2222 601 55649	100nF 10% 100V
2325	4822 121 51252	470nF 5% 63V
2326	2238 600 15619	560pF 10% 100V
2327	2222 580 15649	100nF 10% 50V
2328	2222 580 15649	100nF 10% 50V
2329	2222 580 15649	100nF 10% 50V
2330	2222 580 15649	100nF 10% 50V
2331	4822 126 14241	330pF 50V
2334	2238 780 55654	220nF 10% 16V
2335	4822 126 14221	68pF 5% 50V
2336	4822 126 14241	330pF 50V
2400	2222 580 15649	100nF 10% 50V
2401	4822 124 80062	470uF 20% 35V
2402	4822 124 80062	470uF 20% 35V
2403	2222 580 15649	100nF 10% 50V
2404	4822 124 80062	470uF 20% 35V
2405	4822 124 80062	470uF 20% 35V
2406	4822 123 14026	470uF 20% 35V
2407	4822 123 14026	470uF 20% 35V
2408	5322 126 11578	1nF 10% 50V
2409	5322 126 11578	1nF 10% 50V
2410	5322 126 11578	1nF 10% 50V
2411	5322 126 11578	1nF 10% 50V
2412	5322 126 11578	1nF 10% 50V
2413	5322 126 11578	1nF 10% 50V
2414	5322 126 11578	1nF 10% 50V
2415	5322 126 11578	1nF 10% 50V
2416	5322 126 11578	1nF 10% 50V
2417	5322 126 11578	1nF 10% 50V
2418	5322 126 11578	1nF 10% 50V
2419	2238 586 59812	100nF +80/-20% 50V
2420	5322 126 11578	1nF 10% 50V

ELECTRICAL PARTS LIST - AMPLIFIER BOARD

2421	5322 126 11578	1nF 10% 50V
2422	5322 126 11578	1nF 10% 50V
2423	2238 586 59812	100nF +80/-20% 50V
2425	5322 126 11578	1nF 10% 50V
2500	2238 586 59812	100nF +80/-20% 50V
2501	2238 586 59812	100nF +80/-20% 50V
2502	2238 586 59812	100nF +80/-20% 50V
2600	2238 586 59812	100nF +80/-20% 50V
2602	2020 552 94427	100pF 5% 50V
2603	2020 552 94427	100pF 5% 50V
2604	2238 586 59812	100nF +80/-20% 50V
2605	4822 126 13881	470pF 5% 50V
2606	5322 126 11578	1nF 10% 50V
2607	2020 552 94427	100pF 5% 50V
2608	2020 552 94427	100pF 5% 50V
2611	2020 552 96507	10uF +80/-20% 10V
2700	2020 552 96507	10uF +80/-20% 10V

RESISTORS

3100	4822 051 10568	5R6 5% 0,25W
3101	4822 051 10568	5R6 5% 0,25W
3102	4822 051 10568	5R6 5% 0,25W
3103	2322 762 60229	RST SM 2512 PRC221 22R 5%
3104	2322 762 60229	RST SM 2512 PRC221 22R 5%
3105	4822 051 10568	5R6 5% 0,25W
3107	4822 051 30109	10R 5% 0,062W
3109	4822 051 30109	10R 5% 0,062W
3200	4822 051 10568	5R6 5% 0,25W
3201	4822 051 10568	5R6 5% 0,25W
3202	4822 051 10568	5R6 5% 0,25W
3203	2322 762 60229	RST SM 2512 PRC221 22R 5%
3204	2322 762 60229	RST SM 2512 PRC221 22R 5%
3205	4822 051 10568	5R6 5% 0,25W
3207	4822 051 30109	10R 5% 0,062W
3209	4822 051 30109	10R 5% 0,062W
3300	4822 051 10568	5R6 5% 0,25W
3301	4822 051 10568	5R6 5% 0,25W
3302	4822 051 10568	5R6 5% 0,25W
3303	2322 762 60229	RST SM 2512 PRC221 22R 5%
3304	2322 762 60229	RST SM 2512 PRC221 22R 5%
3305	4822 051 10568	5R6 5% 0,25W
3307	4822 051 30109	10R 5% 0,062W
3309	4822 051 30109	10R 5% 0,062W
3401	4822 051 30562	5k6 5% 0,063W
3404	4822 051 30221	220R 5% 0,062W
3405	4822 051 30562	5k6 5% 0,063W
3408	4822 051 30221	220R 5% 0,062W
3410	4822 051 30562	5k6 5% 0,063W
3411	4822 051 30562	5k6 5% 0,063W
3412	4822 051 30221	220R 5% 0,062W
3413	4822 051 30562	5k6 5% 0,063W
3414	4822 051 30562	5k6 5% 0,063W

COILS & FILTERS

5102	2422 536 00496	INDFXD 16RHBP S 22U PM10
5102	2422 536 00822	INDFXD 16RHBP S 22U P10M20
5103	2422 536 00496	INDFXD 16RHBP S 22U PM10
5103	2422 536 00822	INDFXD 16RHBP S 22U P10M20
5202	2422 536 00496	INDFXD 16RHBP S 22U PM10
5202	2422 536 00822	INDFXD 16RHBP S 22U P10M20
5203	2422 536 00496	INDFXD 16RHBP S 22U PM10
5203	2422 536 00822	INDFXD 16RHBP S 22U P10M20
5302	2422 536 00496	INDFXD 16RHBP S 22U PM10

ELECTRICAL PARTS LIST - AMPLIFIER BOARD

COILS & FILTERS

5302	2422 536 00822	INDFXD 16RHBP S 22U P10M20
5303	2422 536 00496	INDFXD 16RHBP S 22U PM10
5303	2422 536 00822	INDFXD 16RHBP S 22U P10M20
5400	4822 157 11411	FXDIND BEAD 100MHz 80R
5401	4822 157 11411	FXDIND BEAD 100MHz 80R

DIODES

6600	3198 020 55680	BZX384-C5V6
6713	4822 130 11397	BAS316
6714	4822 130 11397	BAS316
6715	4822 130 11397	BAS316

TRANSISTORS & INTEGRATED CIRCUITS

7100	9352 705 74518	IC SM TDA8920TH/N1
7200	9352 705 74518	IC SM TDA8920TH/N1
7300	9352 705 74518	IC SM TDA8920TH/N1
7600	5322 209 11517	IC SM 74HCU04D
7602	5322 130 60159	BC847B
7607	5322 209 14477	IC SM HEF4013BT
7608	4822 130 60373	BC857B
7710	5322 130 60159	BC847B
7716	4822 130 60373	BC857B

Note : Only the parts mentioned in this list are normal service spare parts.

SPEAKER CONNECTOR BOARD

TABLE OF CONTENTS

Electrical parts list	9-1
Circuit Diagram	9-2
Component and Chip layouts	9-3

ELECTRICAL PARTS LIST - SPEAKER CONNECTOR BOARD

MISCELLANEOUS

1711	2422 025 18178	Speaker Socket 6P Purple/Blue/Grey
1712	2422 025 18179	Speaker Socket 6P White/Green/Red

CAPACITORS

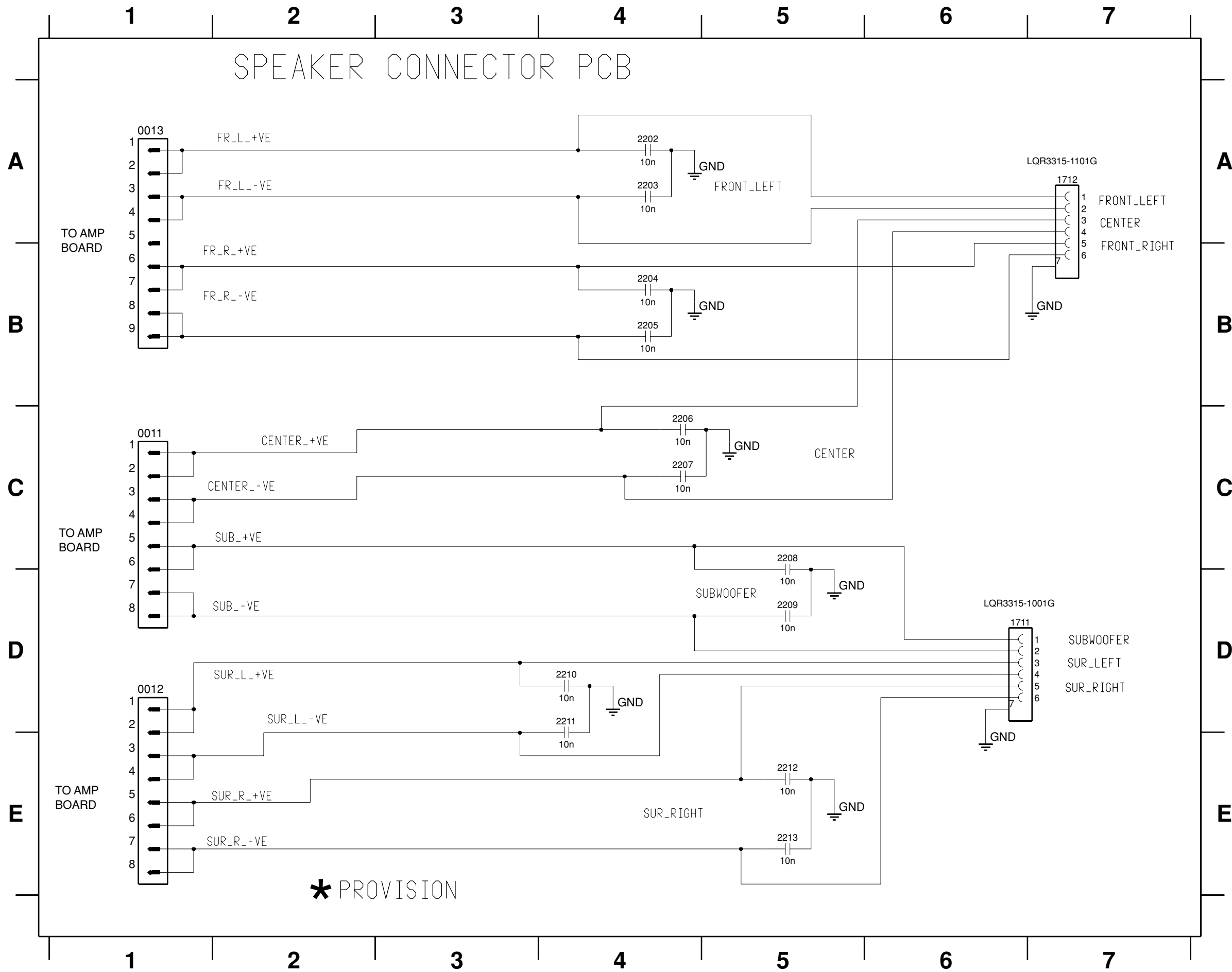
2202	5322 126 11583	10nF 10% 50V
2203	5322 126 11583	10nF 10% 50V
2204	5322 126 11583	10nF 10% 50V
2205	5322 126 11583	10nF 10% 50V
2206	5322 126 11583	10nF 10% 50V
2207	5322 126 11583	10nF 10% 50V
2208	5322 126 11583	10nF 10% 50V
2209	5322 126 11583	10nF 10% 50V
2210	5322 126 11583	10nF 10% 50V
2211	5322 126 11583	10nF 10% 50V
2212	5322 126 11583	10nF 10% 50V
2213	5322 126 11583	10nF 10% 50V

RESISTORS

4221	4822 051 20008	0R Jumper 0805
4222	4822 051 20008	0R Jumper 0805
4223	4822 051 20008	0R Jumper 0805
4224	4822 051 20008	0R Jumper 0805
4225	4822 051 20008	0R Jumper 0805

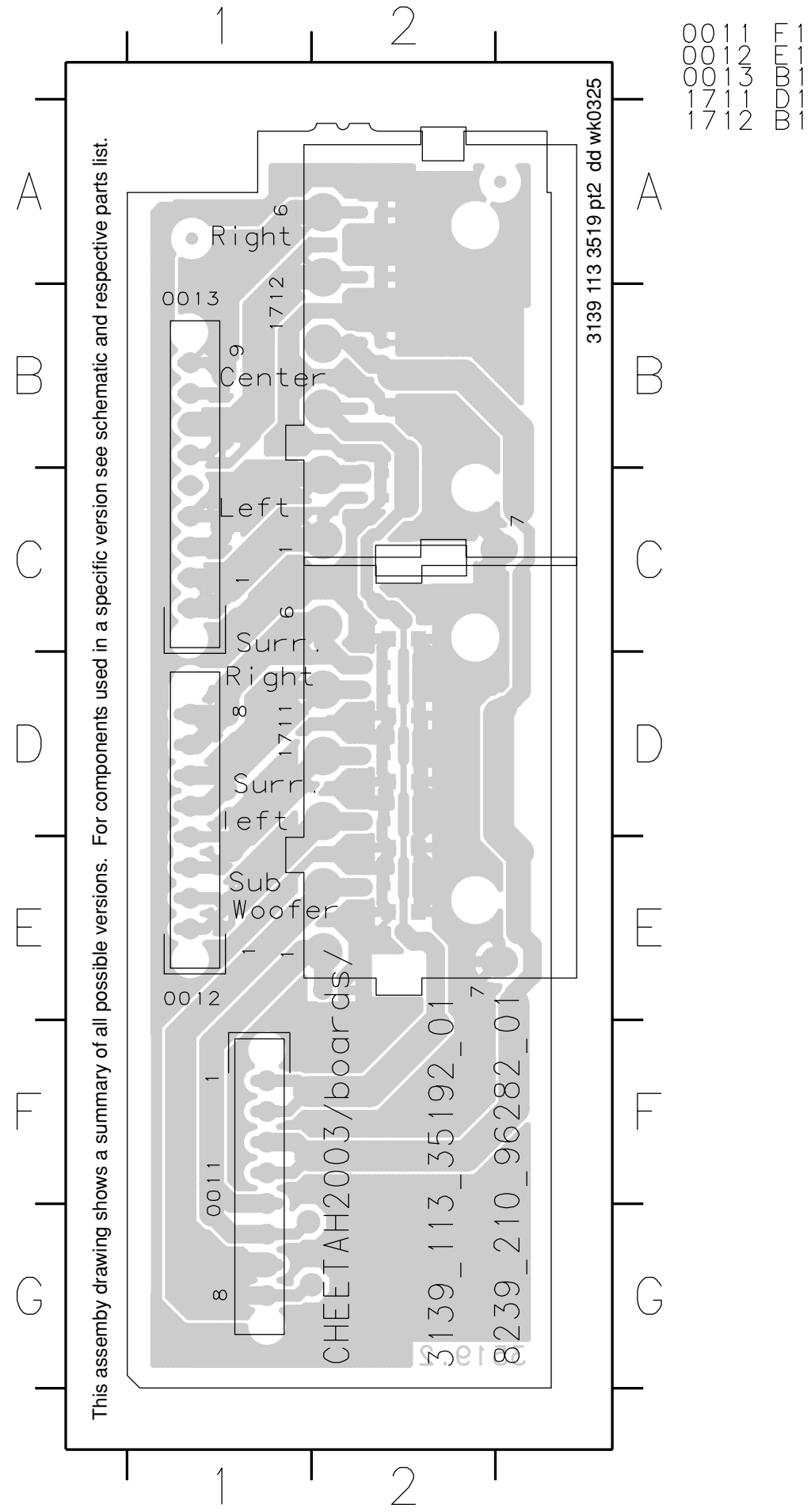
Note : Only the parts mentioned in this list are normal service spare parts.

SPEAKER CONNECTOR BOARD - CIRCUIT DIAGRAM



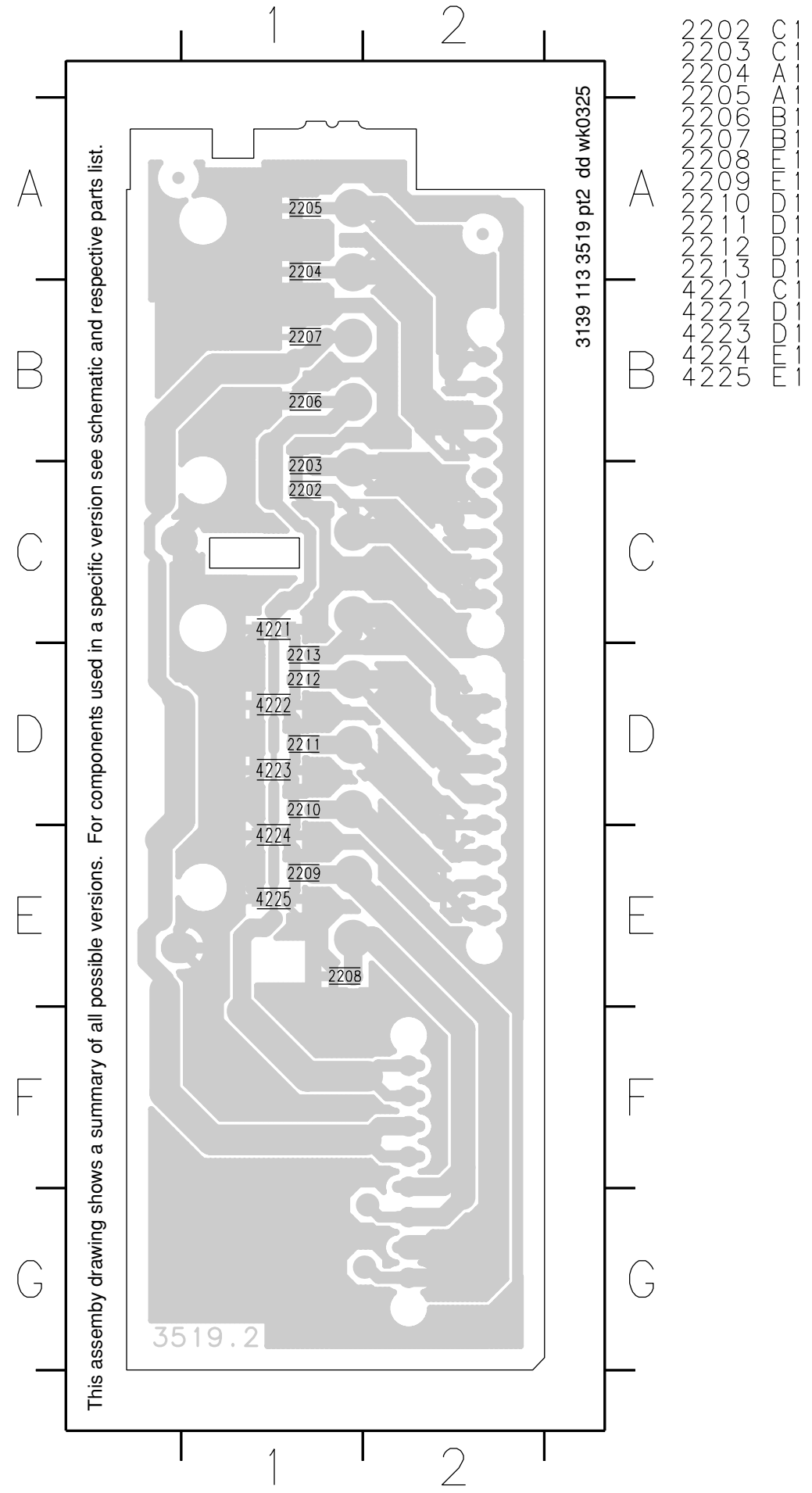
- 0011 C1
- 0012 D1
- 0013 A1
- 1711 D6
- 1712 A7
- 2202 A4
- 2203 A4
- 2204 B4
- 2205 B4
- 2206 C4
- 2207 C4
- 2208 C5
- 2209 D5
- 2210 D4
- 2211 D4
- 2212 E5
- 2213 E5

SPEAKER CONNECTOR BOARD - COMPONENT LAYOUT



00	11	F	1
00	12	F	1
00	13	F	1
17	11	B	1
17	12	B	1

SPEAKER CONNECTOR BOARD - CHIP LAYOUT



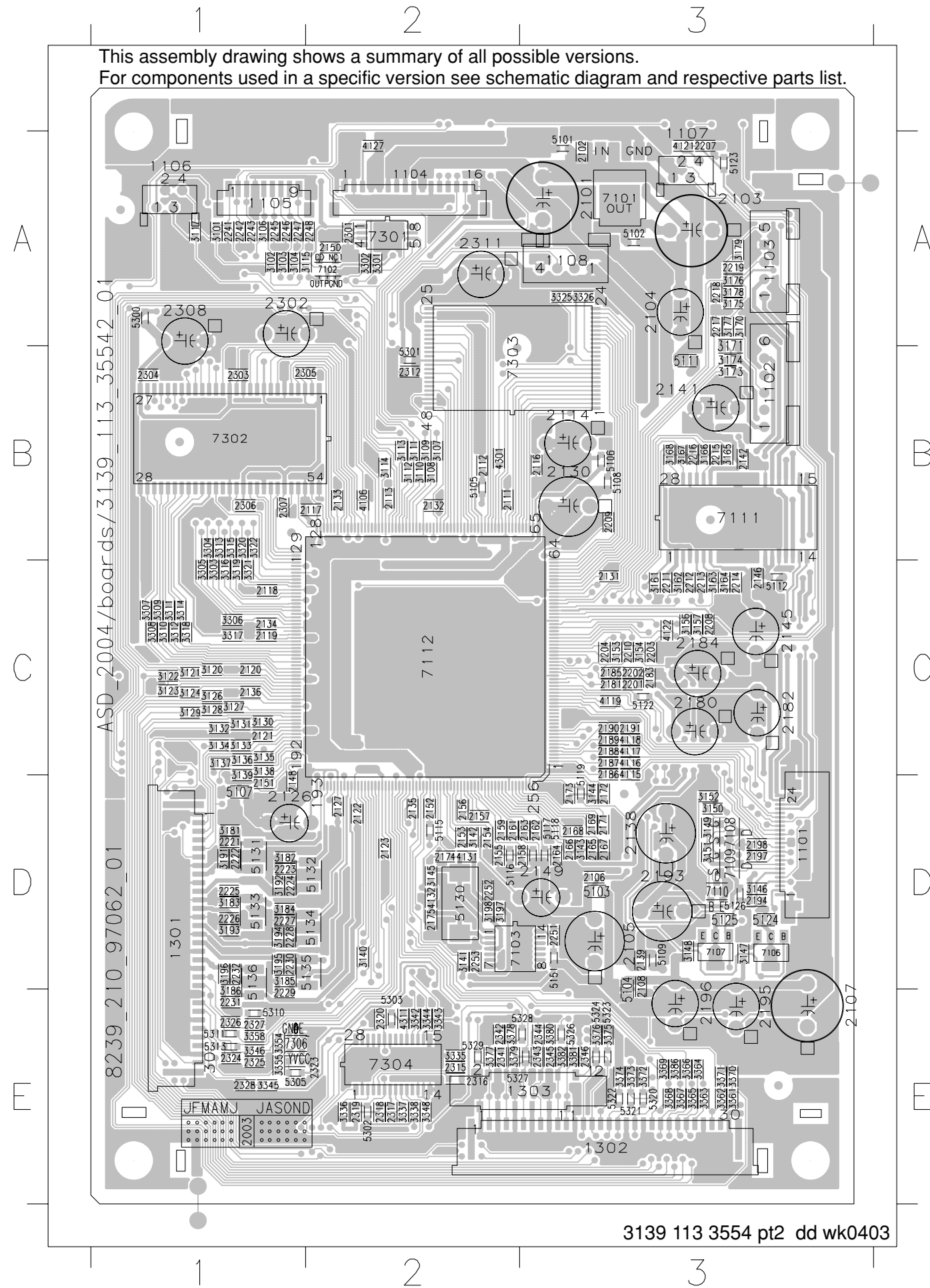
22	02	C	1
22	03	C	1
22	04	A	1
22	05	A	1
22	06	B	1
22	07	B	1
22	08	F	1
22	09	F	1
22	10	F	1
22	11	F	1
22	12	D	1
22	13	D	1
42	21	D	1
42	22	C	1
42	23	C	1
42	24	F	1
42	25	F	1

MODULE SD6.1 RX

TABLE OF CONTENTS

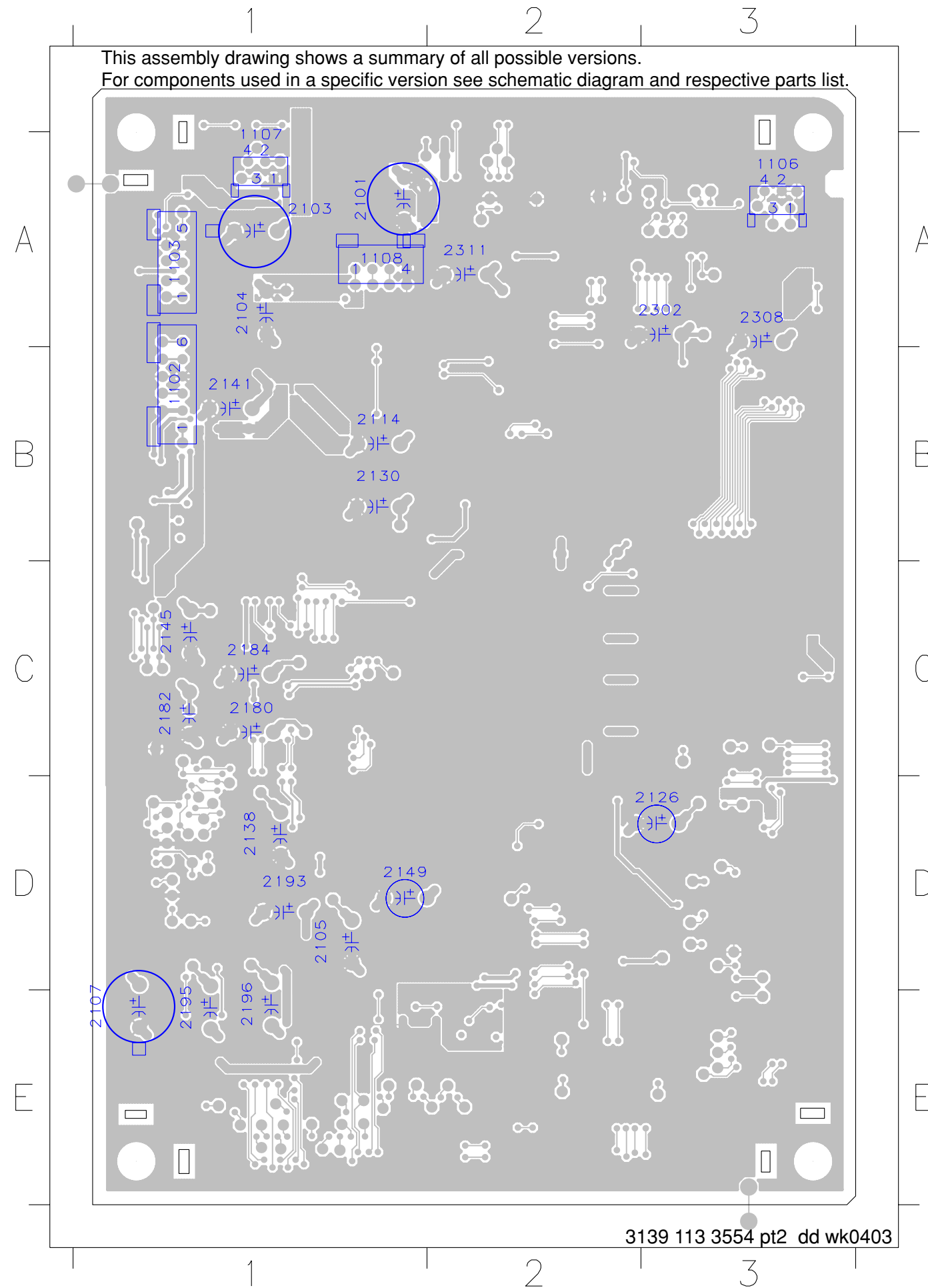
SD6.1 RX Board - Top View Layout	10-2
SD6.1 RX Board - Bottom View Layout	10-3
SD6.1 RX Board - Circuit Diagram (Part 1)	10-4
SD6.1 RX Board - Circuit Diagram (Part 2)	10-5
Exploded View & parts list	10-6
Electrical parts list	10-7

SD6.1 RX BOARD - TOP VIEW LAYOUT



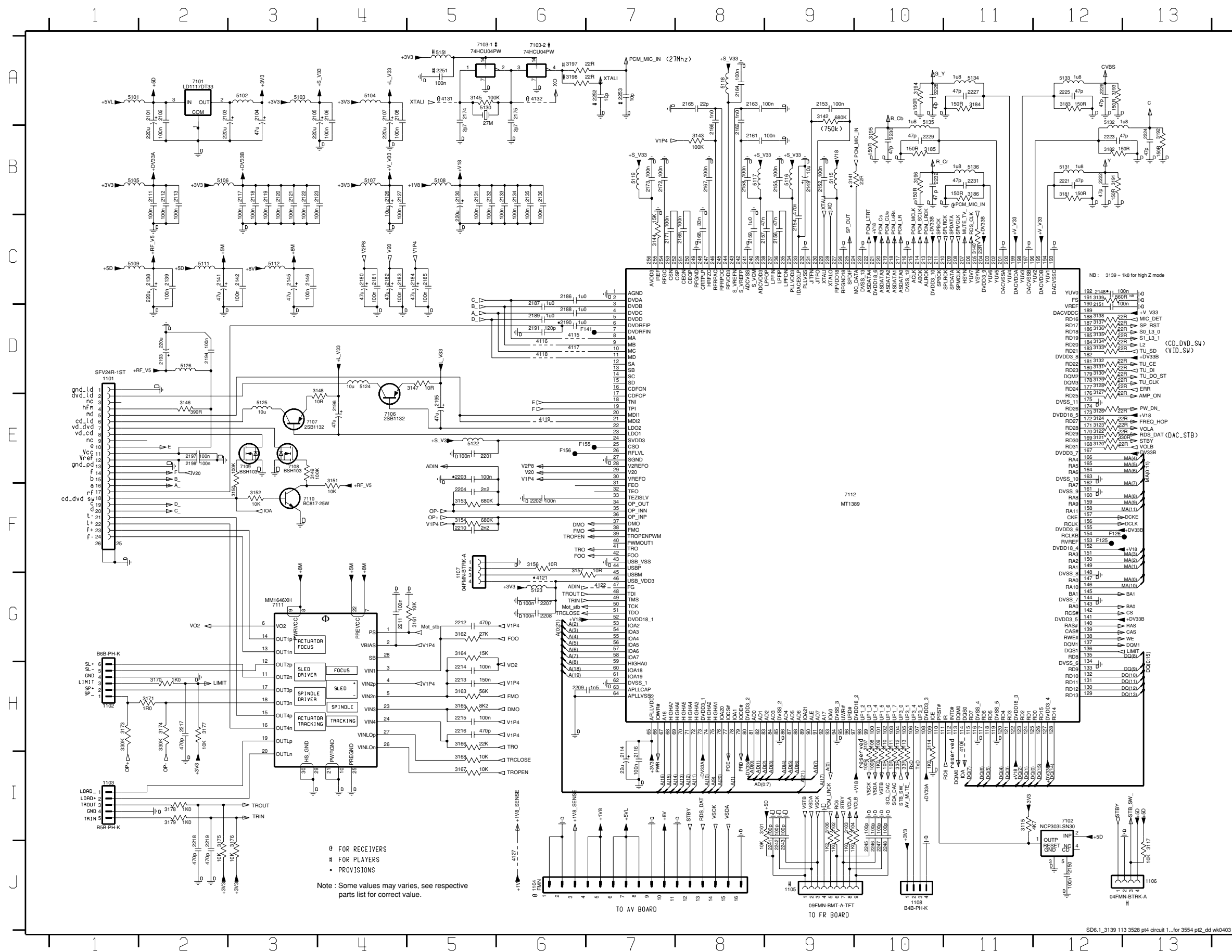
1101	D3	2169	D3	2304	B1	3147	D3	3336	E2	5124	D3
1102	B3	2171	D3	2305	B2	3148	D3	3337	E2	5125	D3
1103	A3	2172	D3	2306	B1	3149	D3	3338	E2	5126	D3
1104	A2	2173	D3	2307	B1	3150	D3	3342	E2	5130	D2
1105	A1	2174	D2	2308	A1	3151	D3	3343	E2	5131	D1
1106	A1	2175	D2	2311	A2	3152	D3	3344	E2	5132	D2
1107	A3	2180	C3	2312	B2	3153	C3	3345	E1	5133	D1
1108	A3	2181	C3	2315	E2	3154	C3	3346	E1	5134	D2
1301	D1	2182	C3	2316	E2	3156	C3	3348	E2	5135	D2
1302	E3	2183	C3	2317	E2	3157	C3	3354	E1	5136	D1
1303	E3	2184	C3	2318	E2	3161	C3	3355	E1	5151	D3
2101	A3	2185	C3	2319	E2	3162	C3	3358	E1	5300	A1
2102	A3	2186	C3	2320	E2	3163	C3	3361	E3	5301	B2
2103	A3	2187	C3	2323	E2	3164	C3	3362	E3	5302	E2
2104	A3	2188	C3	2324	E1	3165	B3	3363	E3	5303	E2
2105	D3	2189	C3	2325	E1	3166	B3	3364	E3	5305	E1
2106	D3	2190	C3	2326	E1	3167	B3	3365	E3	5310	E1
2107	E3	2191	C3	2327	E1	3168	B3	3366	E3	5311	E1
2108	D3	2193	D3	2328	E1	3170	A3	3367	E3	5313	E1
2111	B2	2194	D3	2341	E2	3171	B3	3368	E3	5320	E3
2112	B2	2195	E3	2342	E2	3173	B3	3369	E3	5321	E3
2113	B2	2196	E3	2343	E3	3174	B3	3370	E3	5322	E3
2114	B3	2197	D3	2344	E3	3175	A3	3371	E3	5323	E3
2116	B3	2198	D3	2345	E3	3176	A3	3372	E3	5324	E3
2117	B2	2201	C3	2346	E3	3177	A3	3373	E3	5326	E3
2118	C1	2202	C3	3101	A1	3178	A3	3374	E3	5327	E2
2119	C1	2203	C3	3102	A1	3179	A3	3375	E3	5328	E3
2120	C1	2204	C3	3103	A1	3181	D1	3376	E3	5329	E2
2121	C1	2207	A3	3104	A1	3182	D1	3377	E2	7101	A3
2122	D2	2208	C3	3106	A1	3183	D1	3378	E2	7102	A2
2123	D2	2209	B3	3107	B2	3184	D1	3379	E2	7103	D2
2126	D1	2210	C3	3108	B2	3185	D1	3380	E3	7106	D3
2127	D2	2211	C3	3109	B2	3186	E1	3381	E3	7107	D3
2130	B3	2212	C3	3110	B2	3191	D1	3382	E3	7108	D3
2131	C3	2213	C3	3111	B2	3192	D1	3386	E3	7109	D3
2132	B2	2214	C3	3112	B2	3193	D1	4106	B2	7110	D3
2133	B2	2215	B3	3113	B2	3194	D1	4115	C3	7111	B3
2134	C1	2216	B3	3114	B2	3195	D1	4116	C3	7112	C2
2135	D2	2217	A3	3115	A2	3196	D1	4117	C3	7301	A2
2136	C1	2218	A3	3117	A1	3197	D2	4118	C3	7302	B1
2138	D3	2219	A3	3120	C1	3198	D2	4119	C3	7303	B2
2139	D3	2221	D1	3121	C1	3301	A2	4121	A3	7304	E2
2141	B3	2222	D1	3122	C1	3302	A2	4122	C3	7306	E1
2142	B3	2223	D1	3123	C1	3303	C1	4127	A2		
2145	C3	2224	D1	3124	C1	3304	B1	4131	D2		
2146	C3	2225	D1	3126	C1	3305	C1	4132	D2		
2148	D1	2226	D1	3127	C1	3306	C1	4301	B2		
2149	D3	2227	D1	3128	C1	3307	C1	4311	E2		
2150	A2	2228	D1	3129	C1	3308	C1	5101	A3		
2151	D1	2229	E1	3130	C1	3309	C1	5102	A3		
2152	D2	2230	D1	3131	C1	3310	C1	5103	D3		
2153	D2	2231	E1	3132	C1	3311	C1	5104	E3		
2154	D2	2232	D1	3133	C1	3312	C1	5105	B2		
2155	D2	2241	A1	3134	C1	3313	B1	5106	B3		
2156	D2	2242	A1	3135	C1	3314	C1	5107	D1		
2157	D2	2243	A1	3136	C1	3315	B1	5108	B3		
2158	D3	2245	A1	3137	C1	3316	C1	5109	D3		
2159	D2	2246	A1	3138	C1	3317	C1	5111	B3		
2161	D2	2247	A1	3139	D1	3318	C1	5112	C3		
2162	D3	2248	A2	3140	D2	3319	C1	5115	D2		
2163	D3	2251	D3	3141	D2	3320	B1	5116	D2		
2164	D3	2252	D2	3142	D2	3321	C1	5117	D3		
2165	D3	2253	D2	3143	D3	3322	B1	5118	D3		
2166	D3	2301	A2	3144	D3	3325	A3	5119	D3		
2167	D3	2302	A1	3145	D2	3326	A3	5122	C3		
2168	D3	2303	B1	3146	D3	3335	E2	5123	A3		

SD6.1 RX BOARD - BOTTOM VIEW LAYOUT



- 1102 B1
- 1103 A1
- 1106 A3
- 1107 A1
- 1108 A1
- 2101 A1
- 2103 A1
- 2104 A1
- 2105 D1
- 2107 E1
- 2114 B1
- 2126 D3
- 2130 B1
- 2138 D1
- 2141 B1
- 2145 C1
- 2149 D1
- 2180 C1
- 2182 C1
- 2184 C1
- 2193 D1
- 2195 E1
- 2196 E1
- 2302 A3
- 2308 A3
- 2311 A2

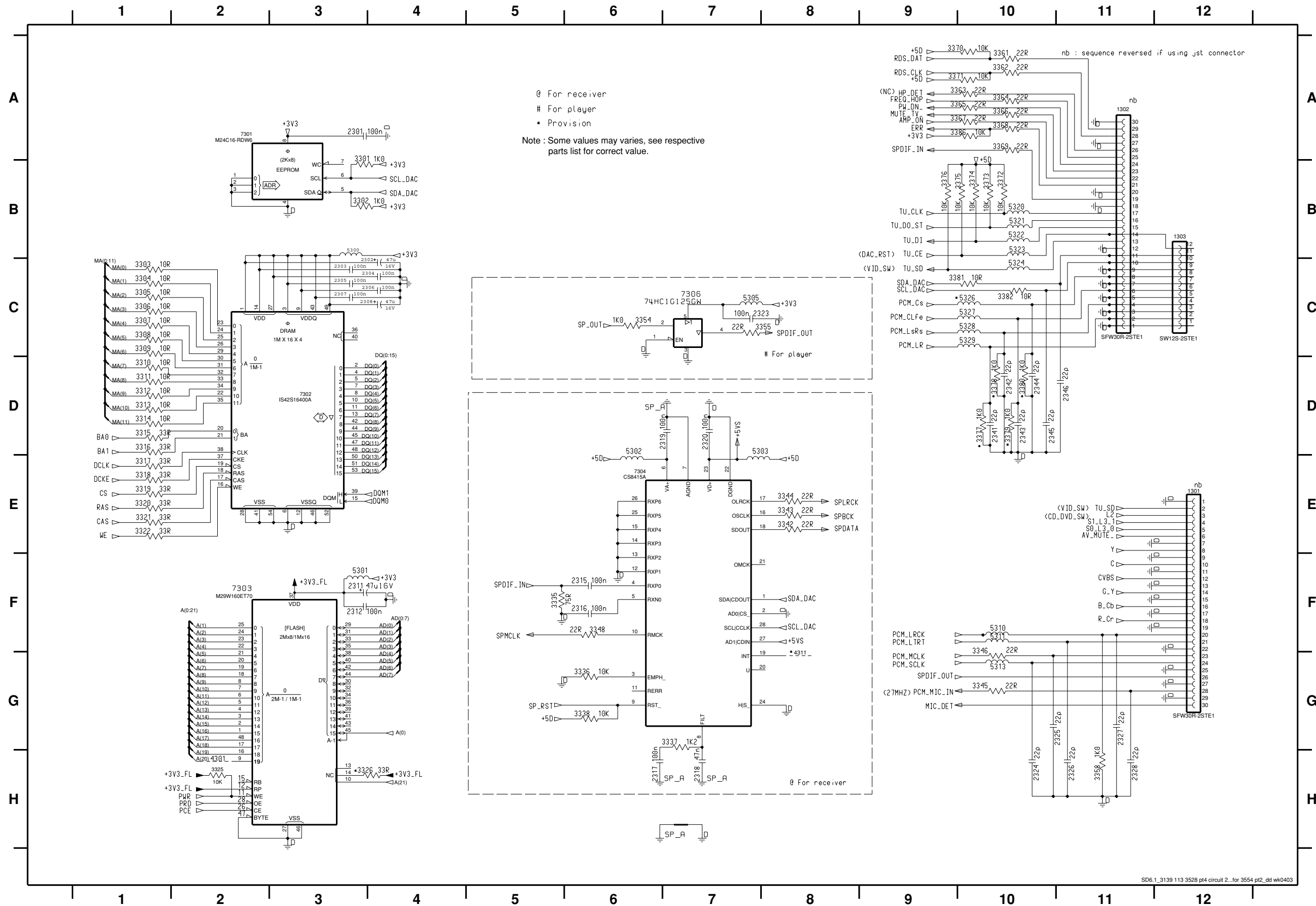
SD6.1 RX BOARD - CIRCUIT DIAGRAM (PART 1)



Vertical text on the right side of the diagram, likely containing component specifications or additional notes.

⊕ FOR RECEIVERS
 # FOR PLAYERS
 • PROVISIONS
 Note: Some values may vary, see respective parts list for correct value.

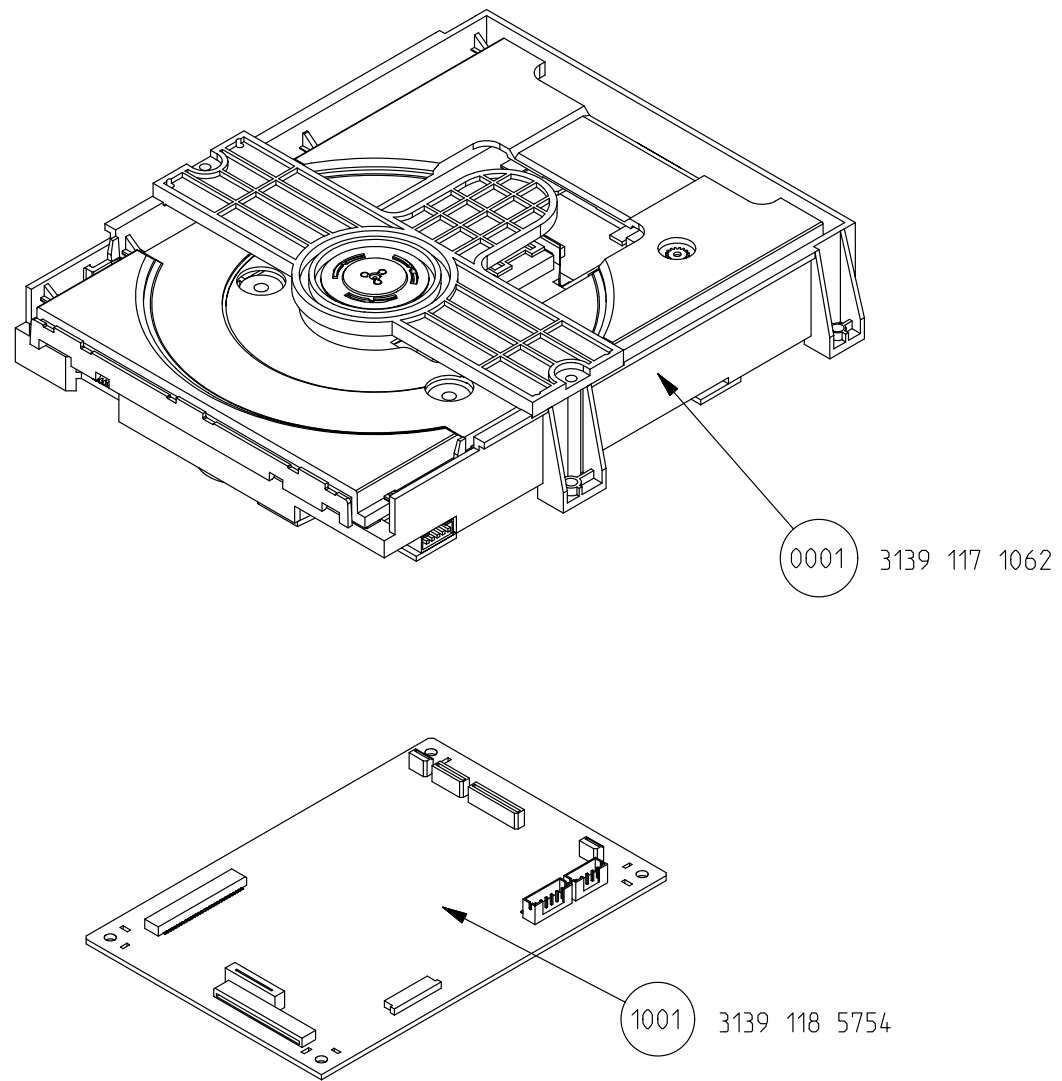
SD6.1 RX BOARD - CIRCUIT DIAGRAM (PART 2)



@ For receiver
 # For player
 * Provision
 Note : Some values may varies, see respective parts list for correct value.

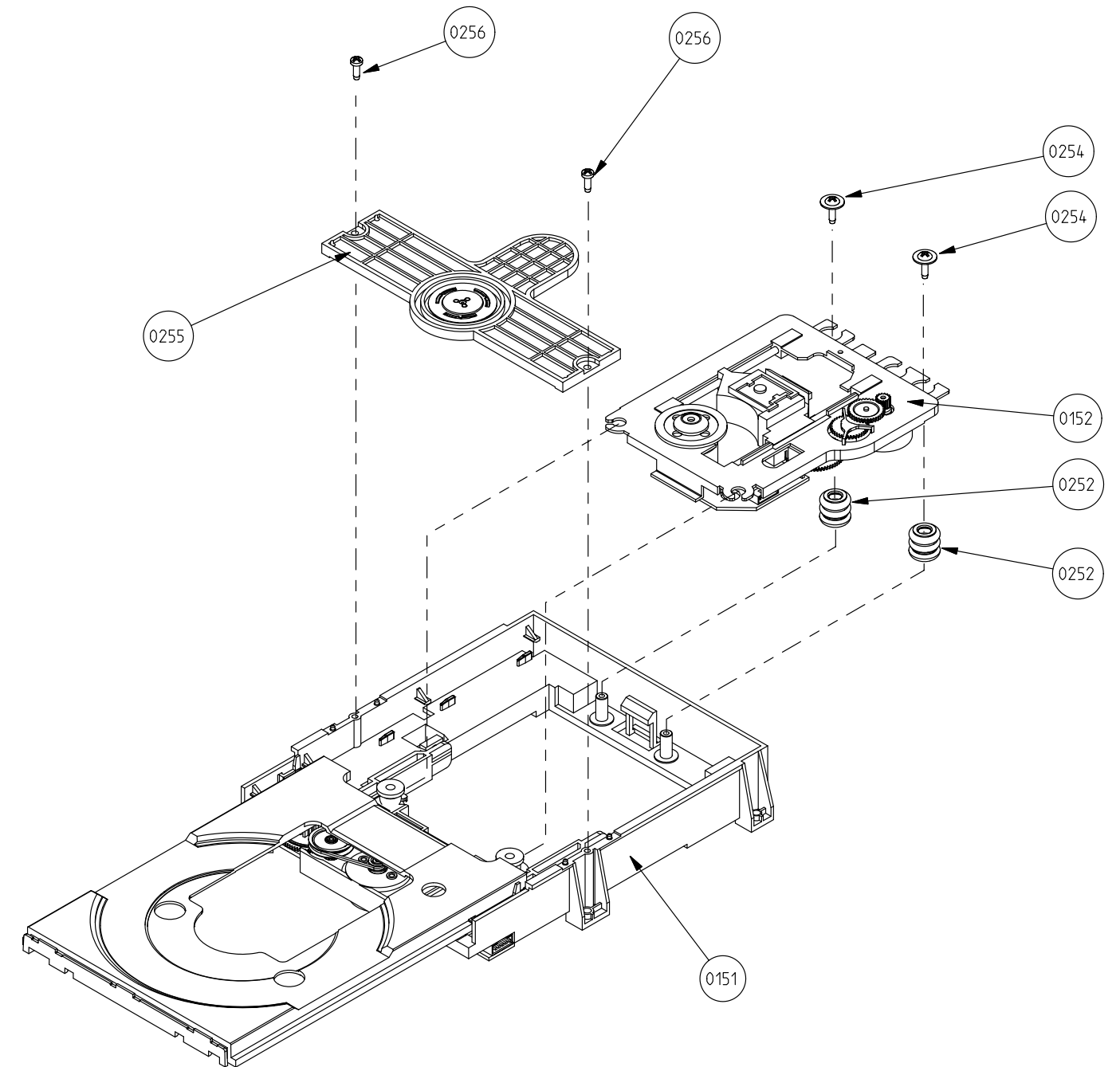
- 1301 E12
- 1302 A11
- 1303 B12
- 2301 A3
- 2302 C4
- 2303 C3
- 2304 C4
- 2305 C3
- 2306 C4
- 2307 C3
- 2308 C4
- 2311 F3
- 2312 F3
- 2315 F6
- 2316 F6
- 2317 H6
- 2318 H7
- 2319 D6
- 2320 D7
- 2323 C7
- 2324 H10
- 2325 G10
- 2326 H11
- 2327 G11
- 2328 H11
- 2341 D10
- 2342 D10
- 2343 D10
- 2344 D10
- 2345 D10
- 2346 D11
- 3301 B3
- 3302 B3
- 3303 C1
- 3304 C1
- 3305 C1
- 3306 C1
- 3307 C1
- 3308 C1
- 3309 C1
- 3310 D1
- 3311 D1
- 3312 D1
- 3313 D1
- 3314 D1
- 3315 D1
- 3316 D1
- 3317 E1
- 3318 E1
- 3319 E1
- 3320 E1
- 3321 E1
- 3322 E1
- 3325 H2
- 3326 H3
- 3335 F5
- 3336 G6
- 3337 G7
- 3338 G6
- 3342 E8
- 3343 E8
- 3344 E8
- 3345 G10
- 3346 G10
- 3348 F6
- 3354 C6
- 3355 C8
- 3358 H11
- 3361 A10
- 3362 A10
- 3363 A10
- 3364 A10
- 3365 A10
- 3366 A10
- 3367 A10
- 3368 A10
- 3369 A10
- 3370 A9
- 3371 A9
- 3372 B10
- 3373 B10
- 3374 B10
- 3375 B9
- 3376 B9
- 3377 D10
- 3378 D10
- 3379 D10
- 3380 D10
- 3381 C9
- 3382 C10
- 3386 A10
- 4301 H2
- 4311 G8
- 5300 B3
- 5301 F3
- 5302 D6
- 5303 D7
- 5305 C7
- 5310 F10
- 5311 F10
- 5313 G10
- 5320 B10
- 5321 B10
- 5322 B10
- 5323 B10
- 5324 B10
- 5325 B10
- 5326 C10
- 5327 C10
- 5328 C10
- 5329 C10
- 7301 A2
- 7302 D3
- 7303 F2
- 7304 E6
- 7305 C7

EXPLODED VIEW - MODULE SD6.1 RX



Module SD6.1 RX_3139 117 10651_dd wk0406

EXPLODED VIEW - MODULE DVD LOADER ASA+DV34



Module DVD Loader ASA+DV34_3139 117 10621_dd wk0406

MODULE SD6.1 RX PARTS LIST

0001	3139 117 10621	Module DVD Loader ASA+DV34
1001	3139 118 57541	PCBAS SD6.1 RX
1101	3139 111 03851	FFC Foil 24P/140/24PAD 0.5MMP

Note : Only the parts mentioned in this list are normal service spare parts.

ELECTRICAL PARTS LIST - SD6.1 RX BOARD**MISCELLANEOUS**

1101	2422 025 17529	Flex Connector 24P
1104	2422 025 16388	Flex Connector 16P
1105	2422 025 17768	Flex Connector 9P
1301	2422 025 17451	Flex Connector 30P
1302	2422 025 17451	Flex Connector 30P

CAPACITORS

2101	3198 029 12210	220uF 20% 10V
2102	2238 586 59812	100nF +80/-20% 50V
2103	3198 029 12210	220uF 20% 10V
2104	4822 124 80231	47uF 20% 16V
2105	4822 124 40196	220uF 20% 16V
2106	2238 586 59812	100nF +80/-20% 50V
2107	3198 029 12210	220uF 20% 10V
2108	2238 586 59812	100nF +80/-20% 50V
2111	2238 586 59812	100nF +80/-20% 50V
2112	2238 586 59812	100nF +80/-20% 50V
2113	2238 586 59812	100nF +80/-20% 50V
2114	4822 124 81151	22uF 50V
2116	2238 586 59812	100nF +80/-20% 50V
2117	2238 586 59812	100nF +80/-20% 50V
2118	2238 586 59812	100nF +80/-20% 50V
2119	2238 586 59812	100nF +80/-20% 50V
2120	2238 586 59812	100nF +80/-20% 50V
2121	2238 586 59812	100nF +80/-20% 50V
2122	2238 586 59812	100nF +80/-20% 50V
2123	2238 586 59812	100nF +80/-20% 50V
2126	4822 124 21732	10uF 20% 25V
2127	2238 586 59812	100nF +80/-20% 50V
2130	4822 124 40196	220uF 20% 16V
2131	2238 586 59812	100nF +80/-20% 50V
2132	2238 586 59812	100nF +80/-20% 50V
2133	2238 586 59812	100nF +80/-20% 50V
2134	2238 586 59812	100nF +80/-20% 50V
2135	2238 586 59812	100nF +80/-20% 50V
2136	2238 586 59812	100nF +80/-20% 50V
2138	4822 124 40196	220uF 20% 16V
2139	2238 586 59812	100nF +80/-20% 50V
2141	4822 124 80231	47uF 20% 16V
2142	2238 586 59812	100nF +80/-20% 50V
2145	4822 124 80231	47uF 20% 16V
2146	2238 586 59812	100nF +80/-20% 50V
2149	4822 124 21732	10uF 20% 25V
2150	2238 586 59812	100nF +80/-20% 50V
2151	2238 586 59812	100nF +80/-20% 50V
2152	2238 586 59812	100nF +80/-20% 50V
2153	2238 586 59812	100nF +80/-20% 50V
2154	3198 017 44740	470nF 10V
2155	2238 586 59812	100nF +80/-20% 50V
2156	3198 017 34730	47nF 16V
2157	3198 017 34730	47nF 16V
2158	2238 586 59812	100nF +80/-20% 50V

2159	3198 017 41050	1uF 10V
2161	2238 586 59812	100nF +80/-20% 50V
2162	5322 126 11578	1nF 10% 50V
2163	2238 586 59812	100nF +80/-20% 50V
2164	2238 586 59812	100nF +80/-20% 50V
2165	4822 122 33761	22pF 5% 50V
2166	5322 126 11578	1nF 10% 50V
2167	2238 586 59812	100nF +80/-20% 50V
2168	4822 126 14549	33nF 16V
2169	2238 586 59812	100nF +80/-20% 50V
2171	2238 586 59812	100nF +80/-20% 50V
2172	2238 586 59812	100nF +80/-20% 50V
2173	2238 586 59812	100nF +80/-20% 50V
2174	4822 126 14223	2,2pF 50V
2175	4822 126 14223	2,2pF 50V
2180	4822 124 80231	47uF 20% 16V
2181	2238 586 59812	100nF +80/-20% 50V
2182	4822 124 80231	47uF 20% 16V
2183	2238 586 59812	100nF +80/-20% 50V
2184	4822 124 80231	47uF 20% 16V
2185	2238 586 59812	100nF +80/-20% 50V
2186	3198 017 41050	1uF 10V
2187	3198 017 41050	1uF 10V
2188	3198 017 41050	1uF 10V
2189	3198 017 41050	1uF 10V
2190	3198 017 41050	1uF 10V
2193	4822 124 40196	220uF 20% 16V
2194	2238 586 59812	100nF +80/-20% 50V
2195	4822 124 80231	47uF 20% 16V
2196	4822 124 80231	47uF 20% 16V
2197	2238 586 59812	100nF +80/-20% 50V
2198	2238 586 59812	100nF +80/-20% 50V
2201	2238 586 59812	100nF +80/-20% 50V
2202	2238 586 59812	100nF +80/-20% 50V
2204	4822 126 14238	2,2nF 50V
2209	4822 126 14247	1,5nF 50V
2210	4822 126 14238	2,2nF 50V
2211	2238 586 59812	100nF +80/-20% 50V
2212	4822 126 13881	470pF 5% 50V
2213	3198 017 31540	150nF 10V
2214	2222 586 18812	100nF 10% 50V
2215	2222 586 18812	100nF 10% 50V
2216	4822 126 13881	470pF 5% 50V
2217	4822 126 13881	470pF 5% 50V
2218	4822 126 13881	470pF 5% 50V
2219	4822 126 13881	470pF 5% 50V
2221	4822 126 11785	47pF 5% 50V
2222	4822 126 11785	47pF 5% 50V
2223	4822 126 11785	47pF 5% 50V
2224	4822 126 11785	47pF 5% 50V
2225	4822 126 11785	47pF 5% 50V
2226	4822 126 11785	47pF 5% 50V

ELECTRICAL PARTS LIST - SD6.1 RX BOARD

2227	4822 126 11785	47pF 5% 50V
2228	4822 126 11785	47pF 5% 50V
2229	4822 126 11785	47pF 5% 50V
2230	4822 126 11785	47pF 5% 50V
2231	4822 126 11785	47pF 5% 50V
2232	4822 126 11785	47pF 5% 50V
2241	2020 552 94427	100pF 5% 50V
2242	2020 552 94427	100pF 5% 50V
2243	2020 552 94427	100pF 5% 50V
2245	2020 552 94427	100pF 5% 50V
2246	2020 552 94427	100pF 5% 50V
2247	2020 552 94427	100pF 5% 50V
2248	2020 552 94427	100pF 5% 50V
2301	2238 586 59812	100nF +80/-20% 50V
2302	4822 124 80231	47uF 20% 16V
2303	2238 586 59812	100nF +80/-20% 50V
2304	2238 586 59812	100nF +80/-20% 50V
2305	2238 586 59812	100nF +80/-20% 50V
2306	2238 586 59812	100nF +80/-20% 50V
2307	2238 586 59812	100nF +80/-20% 50V
2308	4822 124 80231	47uF 20% 16V
2311	4822 124 80231	47uF 20% 16V
2312	2238 586 59812	100nF +80/-20% 50V
2315	2238 586 59812	100nF +80/-20% 50V
2316	2238 586 59812	100nF +80/-20% 50V
2317	2238 586 59812	100nF +80/-20% 50V
2318	3198 017 34730	47nF 16V
2319	2238 586 59812	100nF +80/-20% 50V
2320	2238 586 59812	100nF +80/-20% 50V
2323	2238 586 59812	100nF +80/-20% 50V
2324	4822 122 33761	22pF 5% 50V
2325	4822 122 33761	22pF 5% 50V
2326	4822 122 33761	22pF 5% 50V
2327	4822 122 33761	22pF 5% 50V
2328	4822 122 33761	22pF 5% 50V
2341	4822 122 33761	22pF 5% 50V
2342	4822 122 33761	22pF 5% 50V
2343	4822 122 33761	22pF 5% 50V
2344	4822 122 33761	22pF 5% 50V
2345	4822 122 33761	22pF 5% 50V
2346	4822 122 33761	22pF 5% 50V

RESISTORS

3101	4822 051 30103	10k 5% 0,062W
3102	4822 051 30102	1k 5% 0,062W
3103	4822 051 30102	1k 5% 0,062W
3104	4822 051 30102	1k 5% 0,062W
3106	4822 117 11817	1k2 1% 1/16W
3107	4822 051 30102	1k 5% 0,062W
3108	4822 051 30101	100R 5% 0,062W
3109	4822 051 30101	100R 5% 0,062W
3110	4822 051 30109	10R 5% 0,062W

3111	4822 051 30109	10R 5% 0,062W
3112	4822 051 30339	33R 5% 0,062W
3113	4822 051 30339	33R 5% 0,062W
3114	4822 051 30102	1k 5% 0,062W
3115	4822 051 30472	4k7 5% 0,062W
3120	4822 117 12139	22R 5% 0,062W
3122	4822 117 12139	22R 5% 0,062W
3123	4822 117 12139	22R 5% 0,062W
3124	4822 117 12139	22R 5% 0,062W
3126	4822 117 12139	22R 5% 0,062W
3127	4822 117 12139	22R 5% 0,062W
3128	4822 117 12139	22R 5% 0,062W
3129	4822 117 12139	22R 5% 0,062W
3130	4822 117 12139	22R 5% 0,062W
3131	4822 117 12139	22R 5% 0,062W
3132	4822 117 12139	22R 5% 0,062W
3133	4822 117 12139	22R 5% 0,062W
3134	4822 117 12139	22R 5% 0,062W
3135	4822 117 12139	22R 5% 0,062W
3136	4822 117 12139	22R 5% 0,062W
3137	4822 117 12139	22R 5% 0,062W
3138	4822 117 12139	22R 5% 0,062W
3139	4822 051 30561	560R 5% 0,062W
3140	4822 117 12139	22R 5% 0,062W
3142	2322 704 67504	RST SM 0603 RC22H 750k PM1
3143	4822 117 13632	100k 1% 0,62W
3144	4822 051 30153	15k 5% 0,062W
3145	4822 117 13632	100k 1% 0,62W
3146	4822 051 30391	390R 5% 0,062W
3147	4822 051 30109	10R 5% 0,062W
3148	4822 051 30109	10R 5% 0,062W
3149	4822 117 13632	100k 1% 0,62W
3150	4822 117 13632	100k 1% 0,62W
3151	4822 051 30103	10k 5% 0,062W
3152	4822 051 30103	10k 5% 0,062W
3153	4822 051 30684	680k 5% 0,062W
3154	4822 051 30684	680k 5% 0,062W
3161	4822 051 30103	10k 5% 0,062W
3162	4822 051 30273	27k 5% 0,062W
3163	4822 051 30563	56k 5% 0,062W
3164	4822 051 30153	15k 5% 0,062W
3165	5322 117 13056	8k2 1% 0,063W
3166	4822 051 30223	22k 5% 0,062W
3167	4822 051 30103	10k 5% 0,062W
3168	4822 051 30103	10k 5% 0,062W
3170	4822 051 30102	1k 5% 0,062W
3171	4822 051 20108	1R 5% 0,1W
3173	4822 051 30334	330k 5% 0,062W
3174	4822 051 30334	330k 5% 0,062W
3175	4822 051 30103	10k 5% 0,062W
3176	4822 051 30103	10k 5% 0,062W
3177	4822 051 30103	10k 5% 0,062W

ELECTRICAL PARTS LIST - SD6.1 RX BOARD**RESISTORS**

3178	4822 051 30102	1k 5% 0,062W	3362	4822 117 12139	22R 5% 0,062W
3179	4822 051 30102	1k 5% 0,062W	3363	4822 117 12139	22R 5% 0,062W
3181	2322 704 61501	RST SM 0603 RC22H 150R PM1	3364	4822 117 12139	22R 5% 0,062W
3182	2322 704 61501	RST SM 0603 RC22H 150R PM1	3365	4822 117 12139	22R 5% 0,062W
3183	2322 704 61501	RST SM 0603 RC22H 150R PM1	3366	4822 117 12139	22R 5% 0,062W
3184	2322 704 61501	RST SM 0603 RC22H 150R PM1	3367	4822 117 12139	22R 5% 0,062W
3185	2322 704 61501	RST SM 0603 RC22H 150R PM1	3368	4822 117 12139	22R 5% 0,062W
3186	2322 704 61501	RST SM 0603 RC22H 150R PM1	3369	4822 117 12139	22R 5% 0,062W
3191	2322 704 61501	RST SM 0603 RC22H 150R PM1	3370	4822 051 30103	10k 5% 0,062W
3192	2322 704 61501	RST SM 0603 RC22H 150R PM1	3371	4822 051 30103	10k 5% 0,062W
3193	2322 704 61501	RST SM 0603 RC22H 150R PM1	3372	4822 051 30103	10k 5% 0,062W
3194	2322 704 61501	RST SM 0603 RC22H 150R PM1	3373	4822 051 30103	10k 5% 0,062W
3195	2322 704 61501	RST SM 0603 RC22H 150R PM1	3374	4822 051 30103	10k 5% 0,062W
3196	2322 704 61501	RST SM 0603 RC22H 150R PM1	3375	4822 051 30103	10k 5% 0,062W
3301	4822 051 30102	1k 5% 0,062W	3376	4822 051 30103	10k 5% 0,062W
3302	4822 051 30102	1k 5% 0,062W	3381	4822 051 30109	10R 5% 0,062W
3303	4822 051 30109	10R 5% 0,062W	3382	4822 051 30109	10R 5% 0,062W
3304	4822 051 30109	10R 5% 0,062W	3386	4822 051 30103	10k 5% 0,062W
3305	4822 051 30109	10R 5% 0,062W	4106	4822 051 30008	0R Jumper 0603
3306	4822 051 30109	10R 5% 0,062W	4115	4822 051 30008	0R Jumper 0603
3307	4822 051 30109	10R 5% 0,062W	4116	4822 051 30008	0R Jumper 0603
3308	4822 051 30109	10R 5% 0,062W	4117	4822 051 30008	0R Jumper 0603
3309	4822 051 30109	10R 5% 0,062W	4118	4822 051 30008	0R Jumper 0603
3310	4822 051 30109	10R 5% 0,062W	4119	4822 051 30008	0R Jumper 0603
3311	4822 051 30109	10R 5% 0,062W	4122	4822 051 30008	0R Jumper 0603
3312	4822 051 30109	10R 5% 0,062W	4127	4822 051 30008	0R Jumper 0603
3313	4822 051 30109	10R 5% 0,062W	4131	4822 051 30008	0R Jumper 0603
3314	4822 051 30109	10R 5% 0,062W	4132	4822 051 30008	0R Jumper 0603
3315	4822 051 30339	33R 5% 0,062W	4301	4822 051 30008	0R Jumper 0603
3316	4822 051 30339	33R 5% 0,062W			
3317	4822 051 30339	33R 5% 0,062W			
3318	4822 051 30339	33R 5% 0,062W			
3319	4822 051 30339	33R 5% 0,062W			
3320	4822 051 30339	33R 5% 0,062W			
3321	4822 051 30339	33R 5% 0,062W			
3322	4822 051 30339	33R 5% 0,062W			
3325	4822 051 30103	10k 5% 0,062W			
3326	4822 051 30339	33R 5% 0,062W			
3335	4822 051 30759	75R 5% 0,062W			
3336	4822 051 30103	10k 5% 0,062W			
3337	4822 117 11817	1k2 1% 1/16W			
3338	4822 051 30103	10k 5% 0,062W			
3342	4822 117 12139	22R 5% 0,062W			
3343	4822 117 12139	22R 5% 0,062W			
3344	4822 117 12139	22R 5% 0,062W			
3345	4822 117 12139	22R 5% 0,062W			
3346	4822 117 12139	22R 5% 0,062W			
3348	4822 117 12139	22R 5% 0,062W			
3354	4822 051 30102	1k 5% 0,062W			
3355	4822 117 12139	22R 5% 0,062W			
3358	4822 051 30102	1k 5% 0,062W			
3361	4822 117 12139	22R 5% 0,062W			

COILS & FILTERS

5101	2422 549 45618	INDFXD 0603 EMI 100MHz 60R
5102	2422 549 45618	INDFXD 0603 EMI 100MHz 60R
5103	4822 157 71206	FXDIND 0805 100MHz 600R
5104	4822 157 71206	FXDIND 0805 100MHz 600R
5105	2422 549 43062	FXDIND 0603 100MHz 600R
5106	2422 549 43062	FXDIND 0603 100MHz 600R
5107	4822 157 71206	FXDIND 0805 100MHz 600R
5108	2422 549 45618	INDFXD 0603 EMI 100MHz 60R
5109	2422 549 43062	FXDIND 0603 100MHz 600R
5111	4822 157 71206	FXDIND 0805 100MHz 600R
5112	2422 549 45618	INDFXD 0603 EMI 100MHz 60R
5115	2422 549 43062	FXDIND 0603 100MHz 600R
5116	2422 549 43062	FXDIND 0603 100MHz 600R
5117	2422 549 43062	FXDIND 0603 100MHz 600R
5118	2422 549 43062	FXDIND 0603 100MHz 600R
5119	2422 549 43062	FXDIND 0603 100MHz 600R
5122	2422 549 43062	FXDIND 0603 100MHz 600R
5124	3198 018 31090	FXDIND SM 0805 10U PM10
5125	3198 018 31090	FXDIND SM 0805 10U PM10
5126	2422 549 43062	FXDIND 0603 100MHz 600R
5130	2422 543 01393	RES XTL SM 27MHz 10P CX8045

ELECTRICAL PARTS LIST - SD6.1 RX BOARD

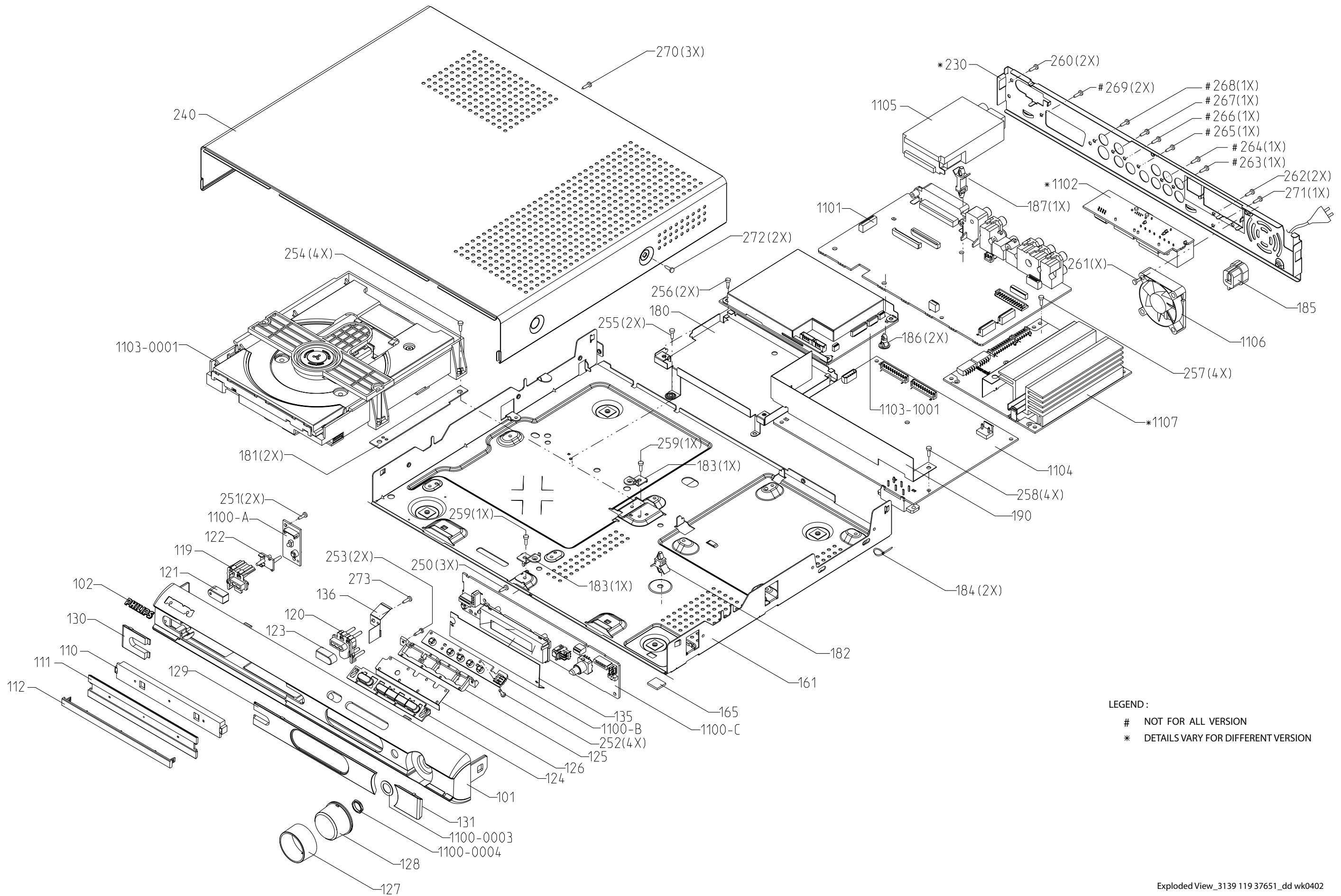
5131	4822 157 11414	FXDIND SM 1210 1U8 PM5
5132	4822 157 11414	FXDIND SM 1210 1U8 PM5
5133	4822 157 11414	FXDIND SM 1210 1U8 PM5
5134	4822 157 11414	FXDIND SM 1210 1U8 PM5
5135	4822 157 11414	FXDIND SM 1210 1U8 PM5
5136	4822 157 11414	FXDIND SM 1210 1U8 PM5
5300	2422 549 43062	FXDIND 0603 100MHz 600R
5301	2422 549 43062	FXDIND 0603 100MHz 600R
5302	2422 549 43062	FXDIND 0603 100MHz 600R
5303	2422 549 43062	FXDIND 0603 100MHz 600R
5305	2422 549 43062	FXDIND 0603 100MHz 600R
5310	2422 549 43062	FXDIND 0603 100MHz 600R
5311	2422 549 43062	FXDIND 0603 100MHz 600R
5313	2422 549 43062	FXDIND 0603 100MHz 600R
5320	2422 549 43062	FXDIND 0603 100MHz 600R
5321	2422 549 43062	FXDIND 0603 100MHz 600R
5322	2422 549 43062	FXDIND 0603 100MHz 600R
5323	2422 549 43062	FXDIND 0603 100MHz 600R
5324	2422 549 43062	FXDIND 0603 100MHz 600R
5326	2422 549 43062	FXDIND 0603 100MHz 600R
5327	2422 549 43062	FXDIND 0603 100MHz 600R
5328	2422 549 43062	FXDIND 0603 100MHz 600R
5329	2422 549 43062	FXDIND 0603 100MHz 600R

TRANSISTORS & INTEGRATED CIRCUITS

7101	4822 209 17398	IC SM LD1117DT33
7102	9322 165 15685	IC SM NCP303LSN30
7106	4822 130 11565	2SB1132
7107	4822 130 11565	2SB1132
7108	9340 547 13215	FET SIG SM BSH103
7109	9340 547 13215	FET SIG SM BSH103
7110	9340 219 30115	BC817-25W
7111	9322 201 94668	IC SM MM1646XH
7112	9322 203 35671	IC SM MT1389E
7301	9322 189 04668	IC SM M24C16-RDW6
7302	9322 199 38671	IC SM IS42S16400A-7T
7303	3139 110 53721	FLASH + EMBEDDED SW
7304	9322 185 10668	IC SM CS8415A-CZ
7306	9352 456 90115	IC SM 74HC1G125GW

Note : Only the parts mentioned in this list are normal service spare parts.

SET MECHANICAL EXPLODED VIEW



LEGEND:
 # NOT FOR ALL VERSION
 * DETAILS VARY FOR DIFFERENT VERSION

MECHANICAL & ACCESSORIES PARTS LIST - MAIN UNIT**SCREW LISTS - MAIN UNIT**

0101	3139 114 79841	Cabinet Front	8004	3139 111 03811	FFC Foil 09P/340/09P AD 1MMP	250	D3 x 8
0102	3139 247 51831	Badge Philips Assy Silver	8200	3139 111 03781	FFC Foil 10P/120/10P AD Fold	251	D3 x 8
0110	3139 114 79831	Cover Tray Technical	8201	3139 111 03781	FFC Foil 10P/120/10P AD Fold	252	D2 x 6
0111	3139 114 79821	Cover Tray Lens	8500	3139 241 00251	FFC Foil 30P/080/30P BD 1MMP	253	D2 x 6
0112	3139 114 79811	Cover Tray Orn Chrome	8501	3139 111 04031	FFC Foil 16P/140/16P AD 1MMP	254	M3 x 8
0119	3139 254 00431	Button Frame Standby	8502	3139 111 03971	FFC Foil 30P/100 BD 1MMP Fold	255	M3 x 6
0120	3139 254 00421	Button Frame Open/Close	8700	3139 111 03801	FFC Foil 11P/080/11P AD	256	M3 x 6
0121	3139 114 79711	Cap Standby Chrome				257	M3 x 6
0122	3139 114 79721	Lightguide Standby				258	M3 x 6
0123	3139 114 79701	Cap Open/Close Chrome				259	M3 x 4
					Satellite Speaker Boxes Breakdown (CS3900SA/01)		
0124	3139 114 79691	Button Function	4340 702 10491	Center Speaker Box		260	M3 x 4
0125	3139 114 79801	Bracket Button Function	4340 702 10501	Front Speaker Box Right		261	M3x 12
0127	3139 114 79761	Knob Volume	4340 702 10551	Front Speaker Box Left		262	D3 x 8
0128	3139 114 79751	Cap Volume Chrome	4340 702 10511	Rear Speaker Box Right		263	D3 x 8 /69/75/93
0129	3139 114 79791	Window Main	4340 702 10561	Rear Speaker Box Left		264	D3 x 8
			4340 704 00641	Bracket			
0130	3139 114 79781	Window Left				265	D3 x 8
0131	3139 114 79771	Window Right				266	D3 x 8 /69/75/93
0165	3139 243 10080	Cushion Foot				267	D3 x 8 /69/75/93
0182	8204 055 76161	Spacer Locking KGLS-4S				268	D3 x 8
0184	2422 015 16901	Saddle Mini Clamp				269	D3 x 8 /01/05
0185	4822 532 60948	Bush				270	M3 x 4
0186	3139 254 00451	Spacer PCB H6.0 KGLS-6RT				271	M3 x 4
0186	3139 254 00981	Spacer H6.4 CRLCBSRE-4-01				272	M3 x 6
0187	3139 254 00461	Spacer PCB H20.9 KGLS-10S				273	D3 x 8
0325	3139 119 02361	Subwoofer (SW3900SA/01)					
0326	3139 119 02351	Satellite Spk Boxes (CS3900SA/01)					
0331	2422 076 00546	Cable FM Aerial					
0332	2422 549 45386	Antenna AM Loop LAN-011					
0332	2422 549 45813	Antenna AM Loop 039S20014					
0333	3139 258 70031	Remote Control					
0336	2422 070 98231	△ Mains Cord IEC 2A5 1M8					/01/69
0336	4822 321 11462	△ Mains Cord 20"/21"					/01/69
0336	2422 070 98236	△ Mains Cord UK 5A 1M8					/05
0336	3103 140 25882	△ Mains Cord 14"/20"/21"/GB					/05
0336	2422 070 98233	△ Mains Cord AUS 7A5 1M8					/75
0336	2422 070 98232	△ Mains Cord CHN 6A 1M8					/93
0338	3103 308 92610	Cable Audio 2x2 RCA Male					/69/75/93
0340	4822 263 21206	Cable Cinch/1M7/Cinch					/69/75/93
0342	2422 076 00468	△ Cable SCART 1M1 21P BK					/01/05
1104	3139 117 10671	Module SMPS03-02 150W EUR/01/05/75/93					
1104	3139 117 10681	Module SMPS03-02 150W AP					/69
1105	2422 542 90137	Tuner Mod. (A+F ENG07703Q)					/01/05
1105	2422 542 90138	Tuner Mod. (A+F ENG06703Q)					/69/75/93
1106	3139 118 79760	Fan KD1245PFS3					
8003	4822 320 12751	FFC Foil 04P/400/04P AD					

Note : Only the parts mentioned in this list are normal service spare parts.

PSU BOARD

(For Information only)

It is not recommended for component repair on this board but to replace the board when it becomes defective.

Therefore no service parts list is published in this chapter.

The only service part available for replacement is:

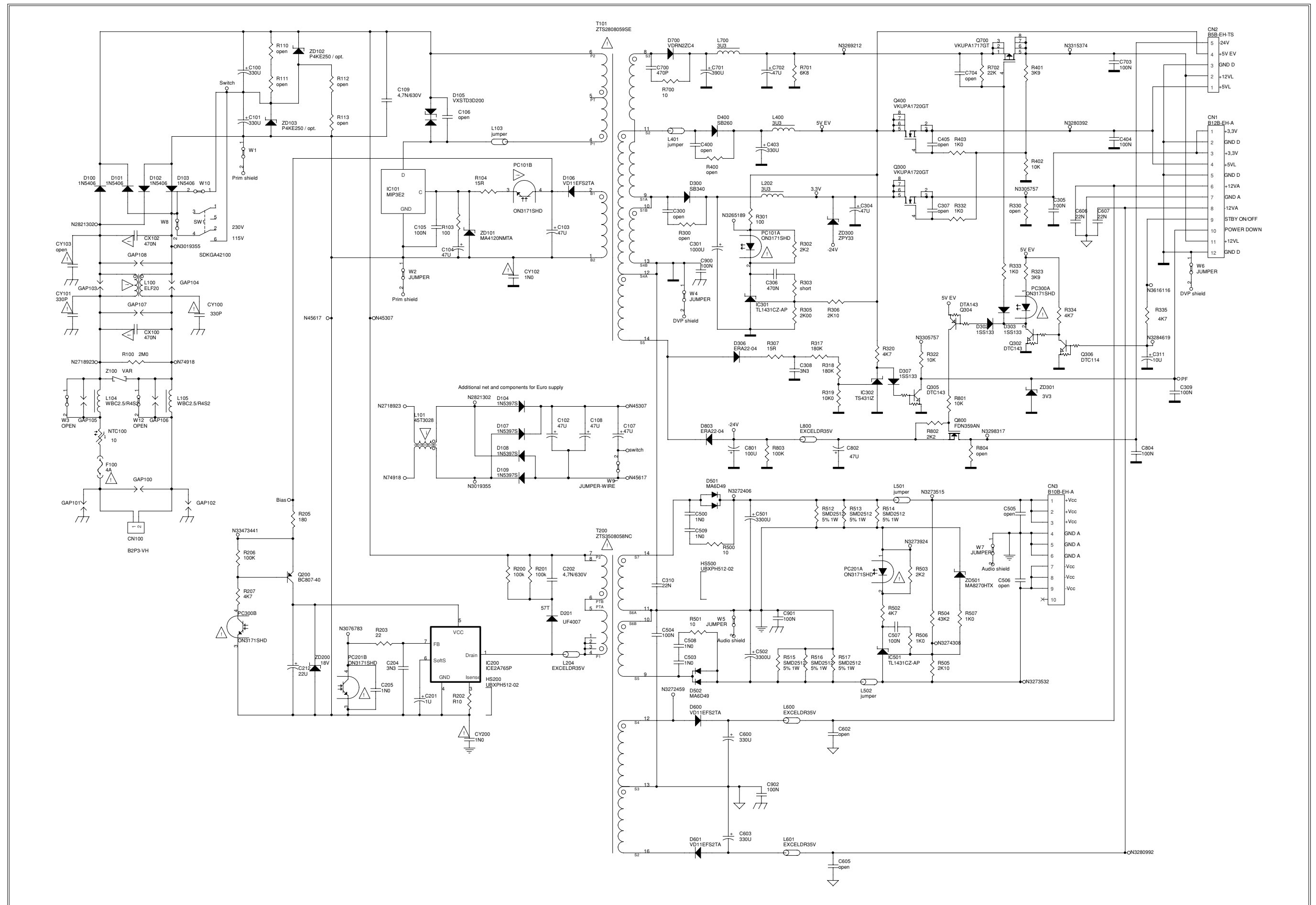
Module SMPS03-02 150W EUR (/01/05/75/93) ... 3139 117 10671

Module SMPS03-02 150W AP (/69) 3139 117 10681

TABLE OF CONTENTS

Circuit Diagram 12-2

PSU BOARD - CIRCUIT DIAGRAM



REVISION LIST

Version 1.0 (3139 785 30570)

- * Initial Release LX3900SA/01/05

Version 1.1 (3139 785 30571)

- * Introduction of LX3900SA/69/75/93
- * Page 3-2 : Reprogramming of DVD version Matrix adapted (additional of LX3900SA/93)
- * Page 7-11 to 7-13 : AV Board - Electrical parts list adapted
- * Page 11-2 : Mechanical & Accessories parts list adapted
- * Chapter 12 : Additional of Chapter 12 (PSU Board - For Information only)